

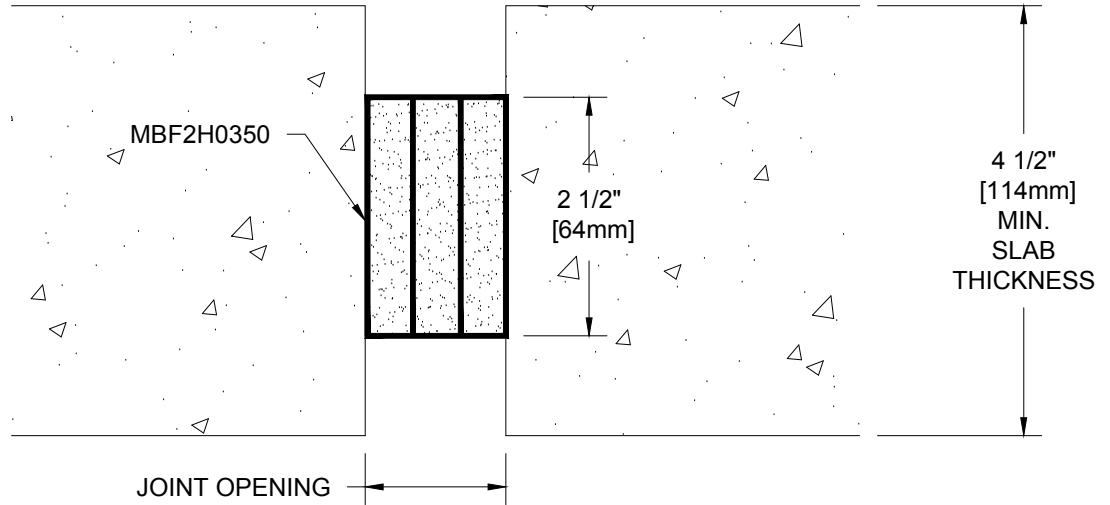
MBF2H0350

METABLOCK® FLOOR
2 HOUR RATED FIRE BARRIER SYSTEM

APPLICATION:
FOR USE WITH METAL EXPANSION JOINT COVERS AND ELASTOMERIC SEALS

NOTES:
FIRE RATING IS DETERMINED NOT ONLY BY THE METABLOCK® FIRE BARRIER, BUT ALSO BY THE PERFORMANCE CAPABILITIES OF THE SURROUNDING CONSTRUCTION

AVAILABLE IN 7'-0" (2134mm) PIECES



MBF2H0350 - 2 HOUR FLOOR FIRE BARRIER

INSTALLATION RANGE		THERMAL MOVEMENT		SEISMIC MOVEMENT*		UL LISTINGS
MINIMUM	MAXIMUM	MINIMUM	MAXIMUM	MINIMUM	MAXIMUM	
3/4" (19mm)	3 1/2" (89mm)	5/8" (16mm)	3 1/2" (89mm)	5/8" (16mm)	3 1/2" (89mm)	FF-S-1038, FF-D-1071, FF-D-1078

*NOTE: FIRE BARRIERS HAVE BEEN TESTED PER UL2079 STANDARDS AT FULL THERMAL MAX OPENING FOR THE DURATION OF THE HOURLY RATING INDICATED.

Project:	
Customer:	
SO#	
Date:	
Page ___ of ___	Scale: NTS

Length	Qty.	Color

Drawn By: HRS



The information contained herein is the proprietary property of BALCO®. No portion of it may be reproduced by any means or used in any form except for the purpose for which it was furnished. All rights of design and invention are hereby reserved.

REV. - 05/31/18