

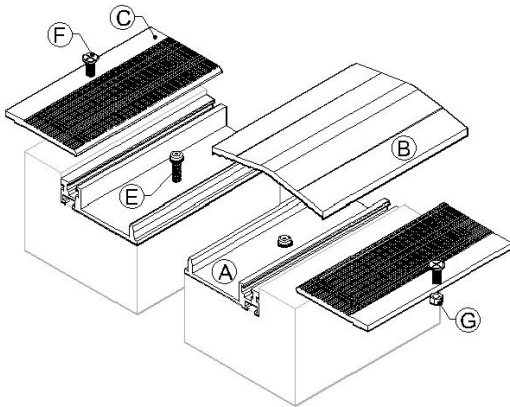
XH4FS / XH4FVS Systems

Installation Instructions

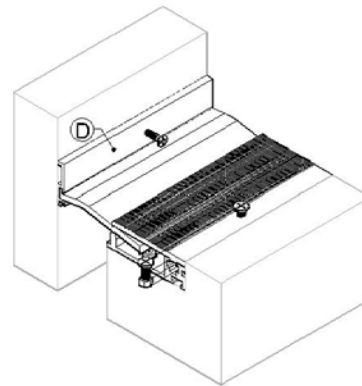
XH4FS System - The following installation instructions are very important. Read them carefully, and be sure you understand them completely before you begin any work. Refer to Balco shop drawings for placement dimensions and anchor spacing.

Parts:

- | | | | |
|-----------------|------------------|----------------|---------------------|
| A. Base Member | B. Center Plate | C. Cover Plate | D. Wall Sub-channel |
| E. Base Anchors | F. Plate Anchors | G. Plate Nut | |



XH4FS-X

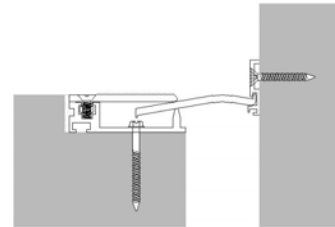


XH4FVS-X

Step 1:

Block-out Anchors

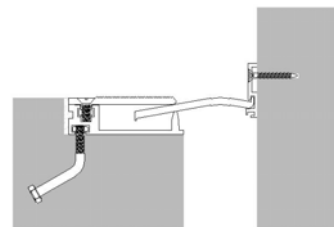
1. Clean block-out of any loose materials. Grout where necessary to level the setting bed.
2. If required, fire or water barrier should be installed at this time. Reference the appropriate instructions for information on how to install these products. If fire barrier is to be installed with the expansion joint cover, anchor spacing should reflect the fire barriers requirements.
3. Set base member into block-out. Ensure that it is plumb, level, and aligned per Balco shop drawings. Mark, drill and attach using anchors provided.



Block-out Anchor

Cast-in Anchors

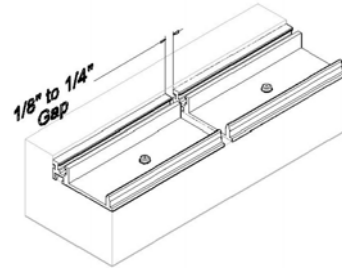
1. Attach cast in anchors to base member per spacing shown on Balco shop drawings.
2. Attach base member to concrete forms. Ensure that base members are at the correct elevation, and are plumb, level and aligned before pouring floor. Pour and finish floor in accordance with all applicable requirements and standard industry practices.
3. Repeat steps 1 and 2 for each subsequent section of base member. For floor-to-floor applications, repeat for opposite side of joint. Clean any excess grout away from the cover's exposed surfaces.



Cast-in Anchor

Important Note:

For installations exposed to significant daily or seasonal temperature changes, it is necessary to leave a gap between adjoining base member extrusions. This gap allows for thermal expansion. An 1/8" gap is recommended for extrusions 10'-0" in length or less; a 1/4" gap is recommended for extrusions exceeding 10'-0" in length.

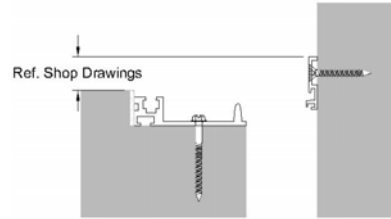


Step 2:

For **floor-to-floor** installation, proceed to step 4.

Step 3 (Wall sub-channel):

For **floor-to-wall** installation, select a section of the wall sub-channel. If anchor holes were not pre-drilled at the factory, mark and drill the sub-channel and corresponding wall locations. Refer to Balco shop drawings for mounting height and spacing.

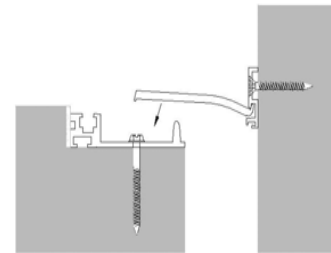


Step 3

Step 4 (Center Plate):

For **floor-to-floor** installation, select a section of center plate and set it across base member.

For **floor-to-wall** installation, insert center plate's tabbed end into the wall sub-channel's track, allowing free side of center plate to rest on the installed base member.



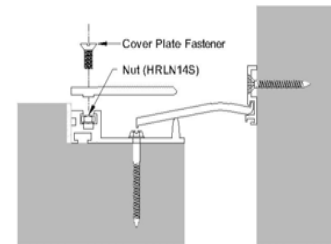
Step 4

Step 5 (Cover Plate):

Slide the appropriate number of cover plate nuts into the base member's raceway. Align the nuts beneath cover plate's pre-drilled anchor holes.

Place cover plate into position over the base member. Using the cover plate fastener's provided, fasten the cover plate to the base member. Do not over-tighten.

Repeat for all subsequent pieces. For floor-to floor applications, repeat on opposite side.



Step 5

Step 6 (Grout):

For **block-out applications**, grout the base members into place using a non-shrink, metallic, epoxy grout or other appropriate non-shrink grout. Clean excess grout away from the cover's exposed surface's.

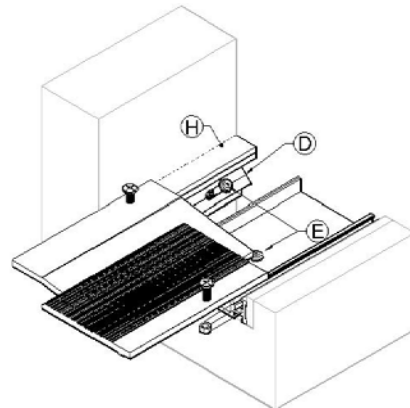
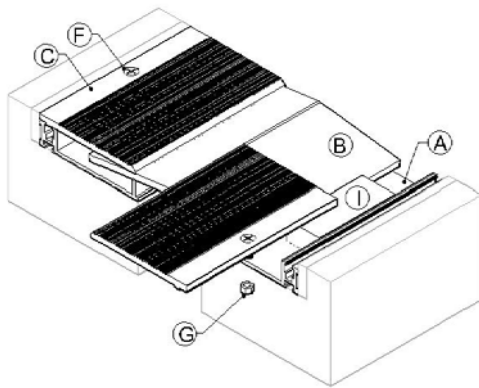
Step 7:

If a floor finish is to be installed, install it at this time per manufacturer's instructions.

XH4F5 / XH4FV5 (Joint Sizes 3" & Up)

Parts:

- | | | | |
|-----------------|-----------------|----------------|--------------|
| A. Base Member | B. Center Plate | C. Cover Plate | D. 6108E |
| E. Base Anchors | F. Plate Screws | G. Plate Nut | H. SP114 |
| | | | I. CFS31Mod. |



Step 2a:

For **floor-to-floor** installation, place foam block (3 per 10'-0" section) onto surface of installed base member.

Step 3a (6108E):

For **floor-to-wall** installation, select a section of the wall mount extrusion (6108E). If anchor holes were not pre-drilled at the factory, mark and drill the extrusion and corresponding wall locations. Refer to Balco shop drawings for spacing.

Step 4a (Center Plate):

For **floor-to-floor** installation, select a section of center plate and set it across base member.

For **floor-to-wall** installation, place SP114 on wall mount extrusion, then place center plate on SP114. Attach center plate and SP114 to wall mount extrusion with appropriate factory provided fastener.

Step 5a (Cover Plate):

Slide the appropriate number of cover plate nuts into the base member's raceway. Align the nuts beneath cover plate's pre-drilled anchor holes.

Place cover plate into position over the base member. Using the cover plate fastener's provided, fasten the cover plate to the base member. Do not over-tighten.

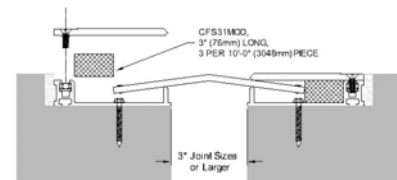
Repeat for all subsequent pieces, for floor-to floor applications repeat on opposite side.

Step 6a (Grout):

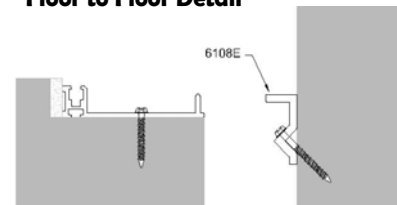
For **block-out applications**, grout the base members into place using a non-shrink, metallic, epoxy grout or other appropriate non-shrink grout. Clean excess grout away from the cover's exposed surface's.

Step 7a:

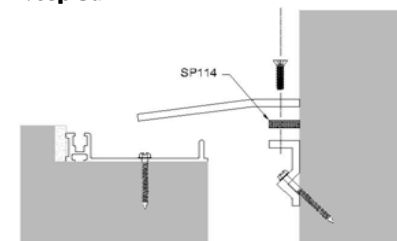
If a floor finish is to be installed, install it at this time per manufacturer's instructions.



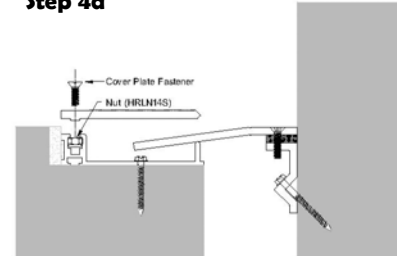
Floor to Floor Detail



Step 3a



Step 4a



Step 5a