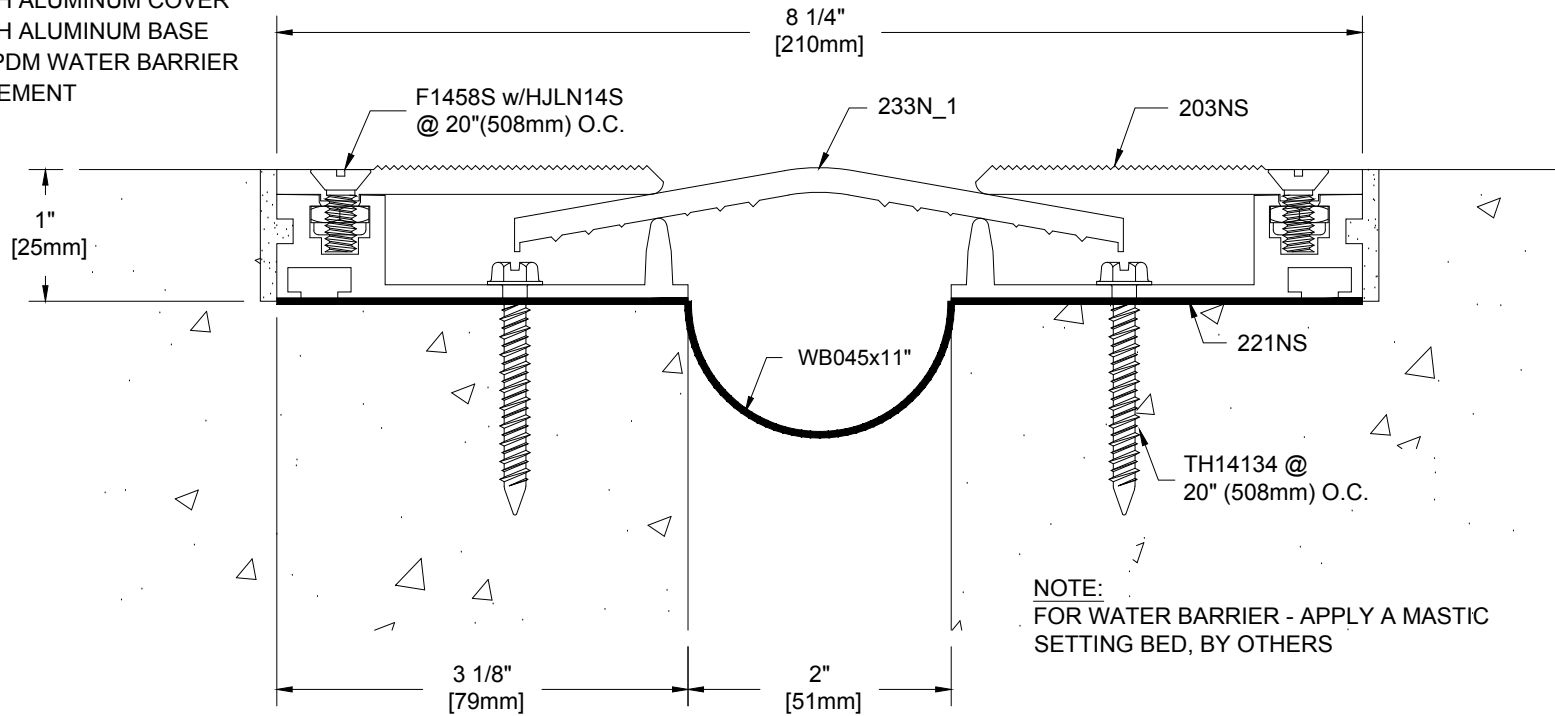


XH4FS-2mg

HEAVY DUTY FLOOR TO FLOOR SYSTEM
 MILL FINISH ALUMINUM COVER
 MILL FINISH ALUMINUM BASE
 w/45MIL EPDM WATER BARRIER
 100% MOVEMENT



NOTE:
 FOR WATER BARRIER - APPLY A MASTIC
 SETTING BED, BY OTHERS

Project:	
Customer:	
SO#	
Date:	
Page ___ of ___	Scale: NTS

Length	Qty.	Color

Drawn By: HRS



A CSW Industrials Company

The information contained herein is the proprietary property of BALCO®. No portion of it may be reproduced by any means or used in any form except for the purpose for which it was furnished. All rights of design and invention are hereby reserved.

REV. - 02/09/18