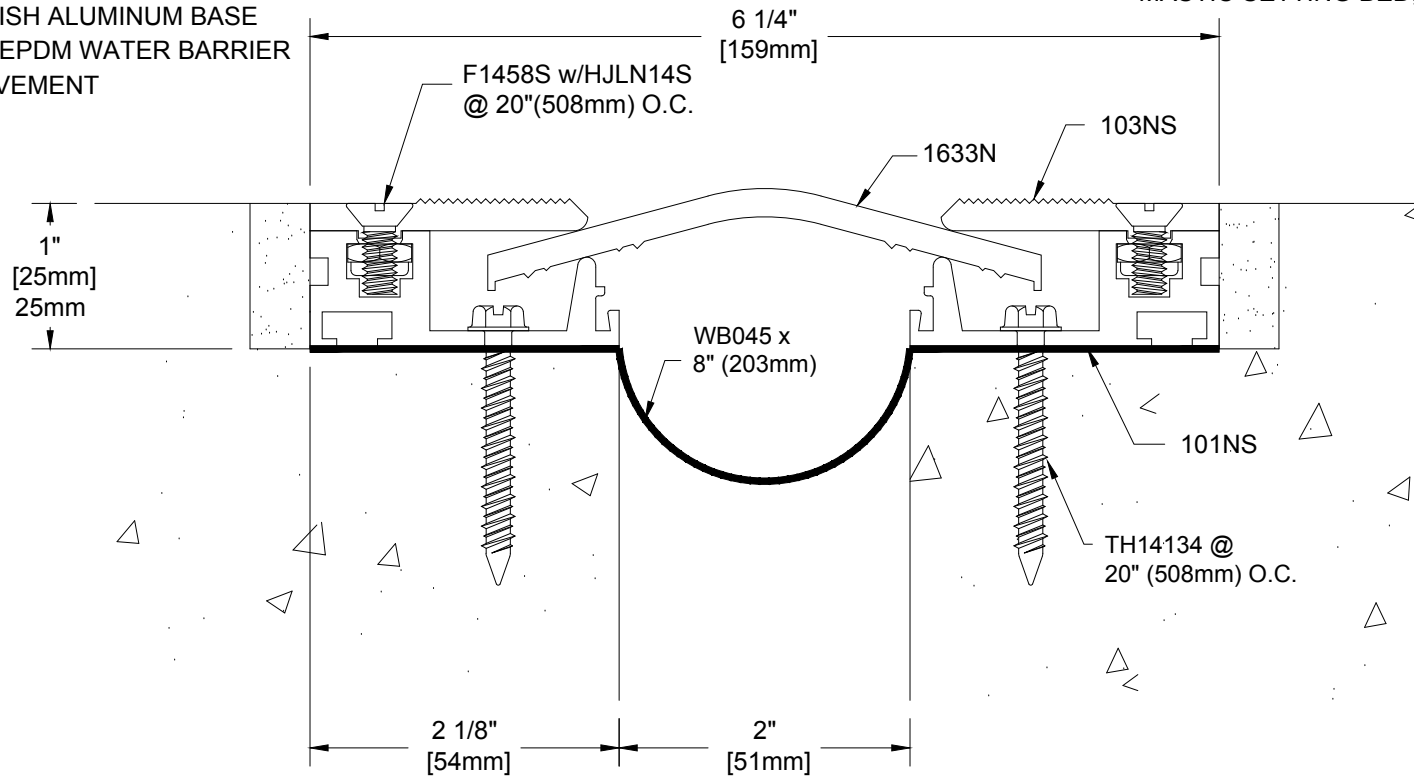


# XH4FS-1-2mg

HEAVY DUTY FLOOR TO FLOOR SYSTEM  
 MILL FINISH ALUMINUM COVER  
 MILL FINISH ALUMINUM BASE  
 w/45MIL EPDM WATER BARRIER  
 50% MOVEMENT

**NOTE:**  
 FOR WATER BARRIER - APPLY A  
 MASTIC SETTING BED, BY OTHERS



Project:	
Customer:	
SO#	
Date:	
Page ___ of ___	Scale: NTS

Length	Qty.	Color

Drawn By: HRS



A CSW Industrials Company

The information contained herein is the proprietary property of BALCO®. No portion of it may be reproduced by any means or used in any form except for the purpose for which it was furnished. All rights of design and invention are hereby reserved.

REV. - 02/09/18