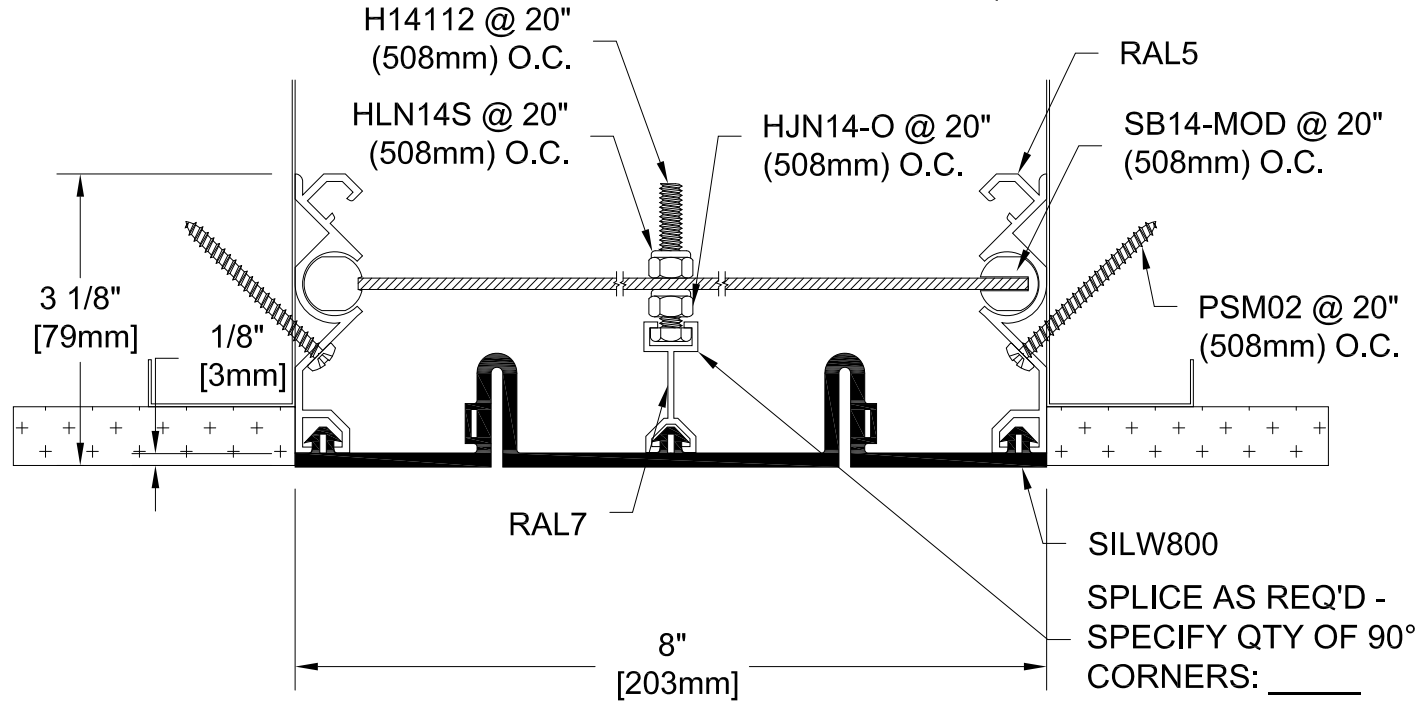


TCWW-8

INTERIOR FLAT SEAL
MILL FINISH ALUMINUM BASE
50% MOVEMENT

COLOR: _____
SILICONE COLORS: CHOOSE FROM DOW 790 COLOR CHART
BLACK, GRAY, BRONZE, SANDSTONE AND WHITE ARE STANDARD. OTHER COLORS SUBJECT TO 100 FOOT MINIMUM ORDER QUANTITY OR SET UP CHARGES.



Project:	
Customer:	
SO#	
Date:	
Page ___ of ___	Scale: NTS

Length	Qty.	Color

Drawn By: TSH

The information contained herein is the proprietary property of **BALCO, INC.** No portion of it may be reproduced by any means or used in any form except for the purpose for which it was furnished. All rights of design and invention are hereby reserved.



BALCO INC

2626 S. Sheridan PO Box 17249
Wichita, Kansas 67217-0249 USA
P: +1-316-945-9328 F: +1-316-945-0789

REV. - 07/05/16