

TCWW-6

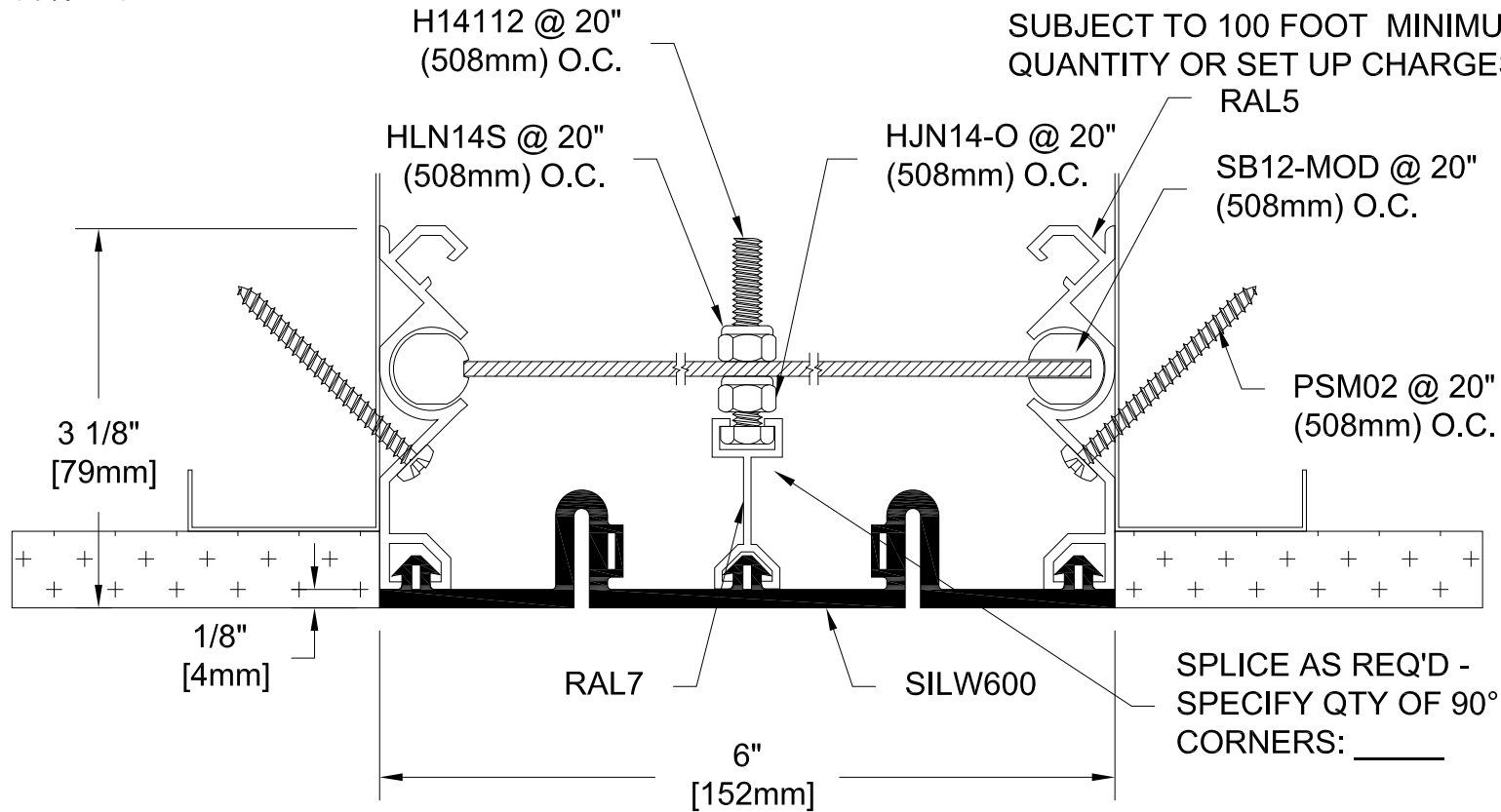
INTERIOR FLAT SEAL

MILL FINISH ALUMINUM BASE

50% MOVEMENT

COLOR: _____
 SILICONE COLORS: CHOOSE
 FROM DOW 790 COLOR CHART

BLACK, GRAY, BRONZE, SANDSTONE AND
 WHITE ARE STANDARD. OTHER COLORS
 SUBJECT TO 100 FOOT MINIMUM ORDER
 QUANTITY OR SET UP CHARGES.



Project:	
Customer:	
SO#	
Date:	
Page ___ of ___	Scale: NTS

Length	Qty.	Color

Drawn By: TSH

The information contained herein is the proprietary property of **BALCO, INC.** No portion of it may be reproduced by any means or used in any form except for the purpose for which it was furnished. All rights of design and invention are hereby reserved.



2626 S. Sheridan PO Box 17249
 Wichita, Kansas 67217-0249 USA
 P: +1-316-945-9328 F: +1-316-945-0789