

Single Component Photoluminescent Stair Nosings

Illumitread™ Stair Nosings with Type 5 or Type 7 Anchors

IMPORTANT

The following instructions are very important.

Read them carefully, and be sure you understand them completely before you begin any work.

Store this product in the horizontal position in a clean, dry location. This is a finished product. Store this product in a protected area. Do not stack anything on top of this product.

Review approved Balco shop drawings for types and locations prior to beginning work.

RECOMMENDED TOOLS

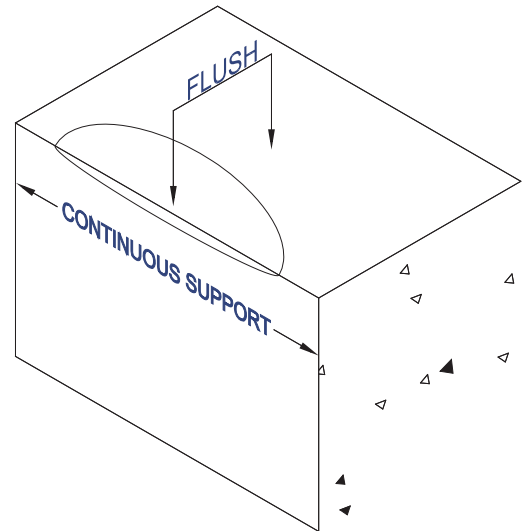
TAPE MEASURE / LEVEL / DRILL / DRILL BITS FOR MASONRY OR OTHER SUBSTRATE / CONSTRUCTION ADHESIVE / SCREWDRIVERS

STEP ONE

To ensure proper installation of the nosing, ensure that the substrate is level. Re-level all worn or dished concrete using an appropriate product as recommended by repair material supplier for specific field conditions.

Fill any gaps on the front lip of the stair tread. Ensure that the blockout is formed to the correct size, square, and sound.

Do not install the nosings over any substrate that does not continuously support the nosing.

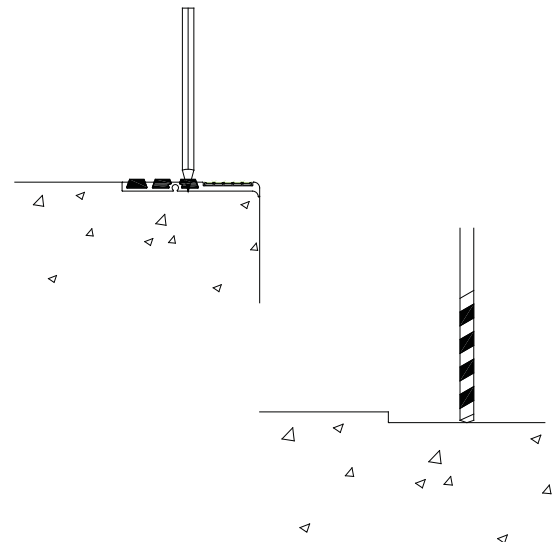


STEP TWO

Select the nosing and place it in its installed position.

Using the factory drilled holes in the nosing as a guide, mark the locations of the fasteners to be used.

Remove the nosing from its installed position and drill anchor holes at the marked locations. Remove all dirt and debris from the installation surface, and ensure the installation surface is clean.



Single Component Photoluminescent Stair Nosings

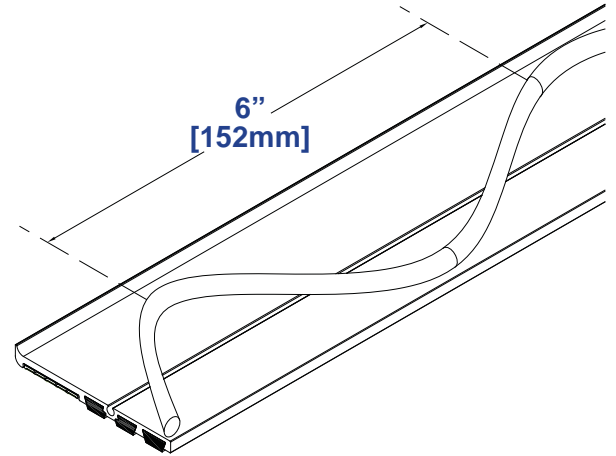
STEP THREE

Select the nosing. Apply a minimum 3/16" (5mm) bead of construction adhesive (by others) to the underside of the nosing.

Apply the adhesive in a zig-zag pattern at a nominal 6" (152mm) from crest to crest, along the full length and width of the nosing.

BALCO RECOMMENDS

Bostik 1100 FS construction adhesive or equal for installation of stair nosings onto concrete. Contact factory for more information.

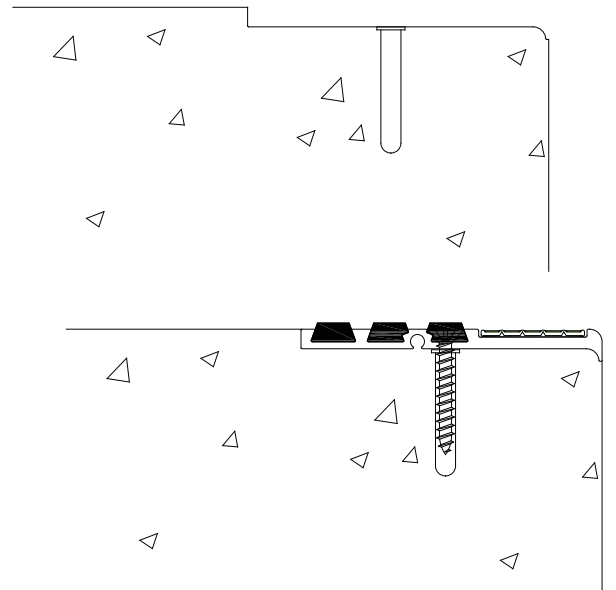


STEP FOUR

If Type 7 anchors are utilized, insert an anchor plug into each hole in the substrate, ensuring the top of the plug is level with the surface of the stair.

Place the nosing into its installed location.

Align the anchor holes in the nosing with the anchor holes in the substrate and, using the fasteners provided by the factory, firmly attach the nosing to the substrate.



CLEANING

To ensure optimum performance, Balco recommends cleaning Illumitread nosings with a non-alkaline cleaner and a soft cloth or sponge and drying, as needed. Recommended cleaning a minimum of once a year or more, depending on use and environment.

IMPORTANT

Minimum illumination to charge the nosings' strips shall be not less than 11 lux (1 footcandle) for one (1) hour. Insufficient ambient illumination will result in failure of the photoluminescent strip to charge and to photoluminesce.

Ensure that the source lighting is controlled by authorized personnel only.

Maintain adequate light level and duration to properly activate photoluminescent components.

IBC 1025.5 requires not less than 1 footcandle (11 lux) of illumination for not less than 60 minutes prior to periods when the building is occupied and continuously during occupancy.



A CSW Industrials Company

Photoluminescent Egress Systems Operation, Cleaning and Maintenance

1. Introduction

Balco, Inc. photoluminescent exit path marking systems are illuminated using either natural or artificial light sources. The performance of the photoluminescent components is dependent upon the light exposure, both intensity and duration. The type of lighting in a facility and its brightness will determine the required duration of exposure to adequately charge the photoluminescent components to achieve desired performance.

2. Operation

A. MINIMUM ACTIVATION SOURCE TYPE: Fluorescent or LED Illumination.

B. MINIMUM ILLUMINATION AT TARGET: 1 footcandle (11 lux).

C. MINIMUM ACTIVATION DURATION: 60 minutes.

Ensure that the source lighting is controlled by authorized personnel only.

Maintain adequate light level and duration to properly activate photoluminescent components.

IBC 1025.5 requires not less than 1 footcandle (11 lux) of illumination for not less than 60 minutes prior to periods when the building is occupied and continuously during occupancy.

3. Cleaning

Establish a regular inspection schedule for the photoluminescent components and clean them as needed to prevent dirt, etc. from inhibiting the performance of the components. Balco recommends inspection at least once a year or after any particularly heavy use. Perform inspections in accordance with applicable local and national code requirements.

Photoluminescent components attached to floor assemblies may be cleaned by mopping or wiping with a clean damp cotton cloth. Use mild detergents to clean the photoluminescent components, if necessary. Mild dish washing detergents or laundry detergents are recommended. Do not use highly alkaline detergents, those having a Ph >8, or acidic cleaners, those having a Ph <5. Do not use abrasive cleaners.

Photoluminescent components on walls or other assemblies or components may be cleaned using clean water and a clean sponge or a clean cotton cloth. Rinse after applying detergent solution. Wipe with a clean cotton cloth to dry.

4. Maintenance

Inspect exit path markings, obstacle markings and photoluminescent stair nosings for damaged components and to ensure that photoluminescent components remain properly attached to their substrate and that no loosening of anchors or delamination of photoluminescent components has occurred.

Replace damaged components and tighten any loose anchors. Hand tightening is sufficient. Contact the factory for repair recommendations.