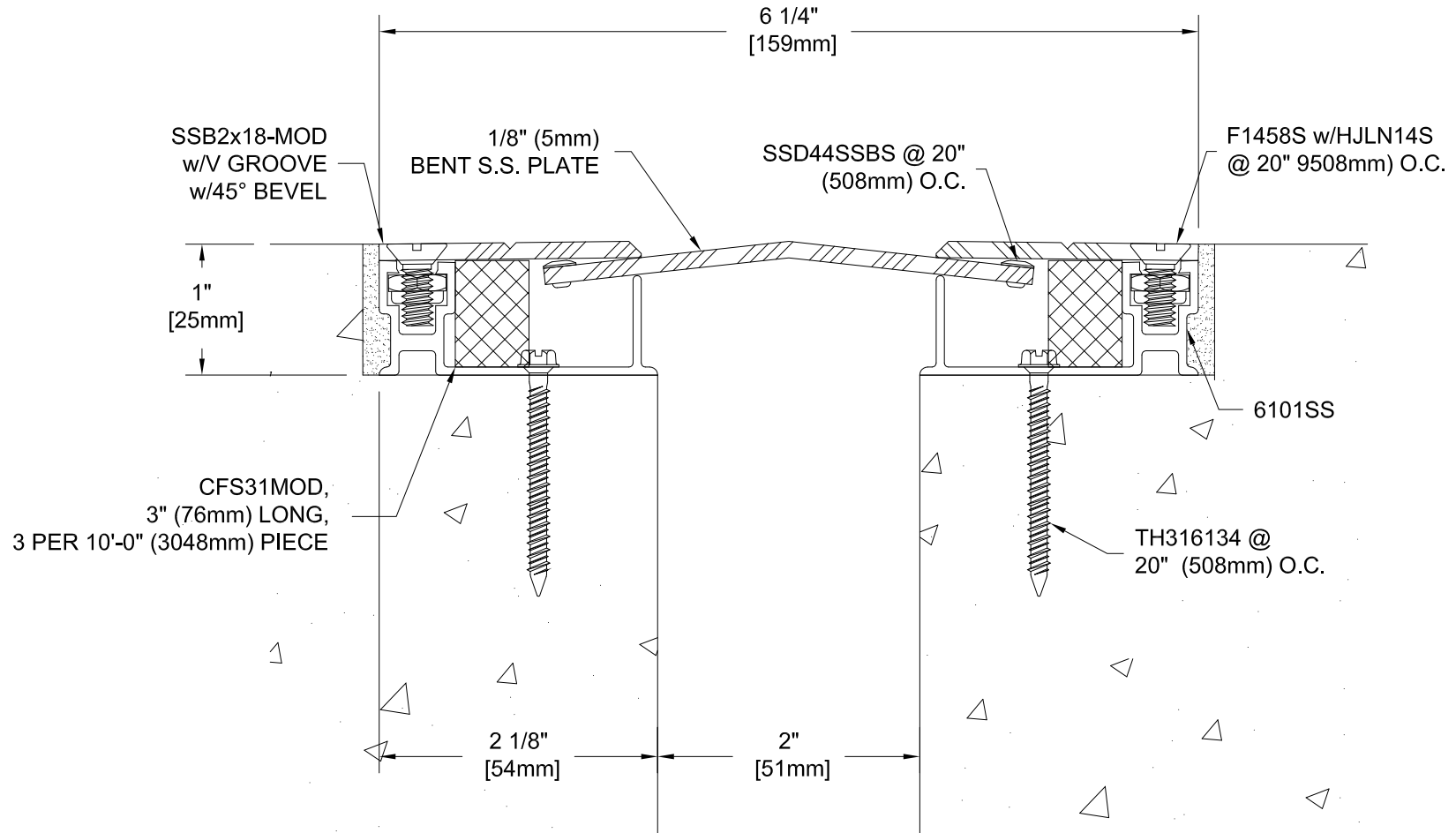


# SS6FS-1-2m

6000 SERIES FLOOR TO FLOOR SYSTEM  
 SATIN FINISH STAINLESS STEEL COVERS  
 MILL FINISH BASE EXTRUSION  
 50% MOVEMENT



Project:	
Customer:	
SO#	
Date:	
Page ___ of ___	Scale: NTS

Length	Qty.	Color

Drawn By: TSH

The information contained herein is the proprietary property of **BALCO, INC.** No portion of it may be reproduced by any means or used in any form except for the purpose for which it was furnished. All rights of design and invention are hereby reserved.



**BALCO INC**

2626 S. Sheridan PO Box 17249  
 Wichita, Kansas 67217-0249 USA  
 P: +1-316-945-9328 F: +1-316-945-0789

REV. - 01/21/15