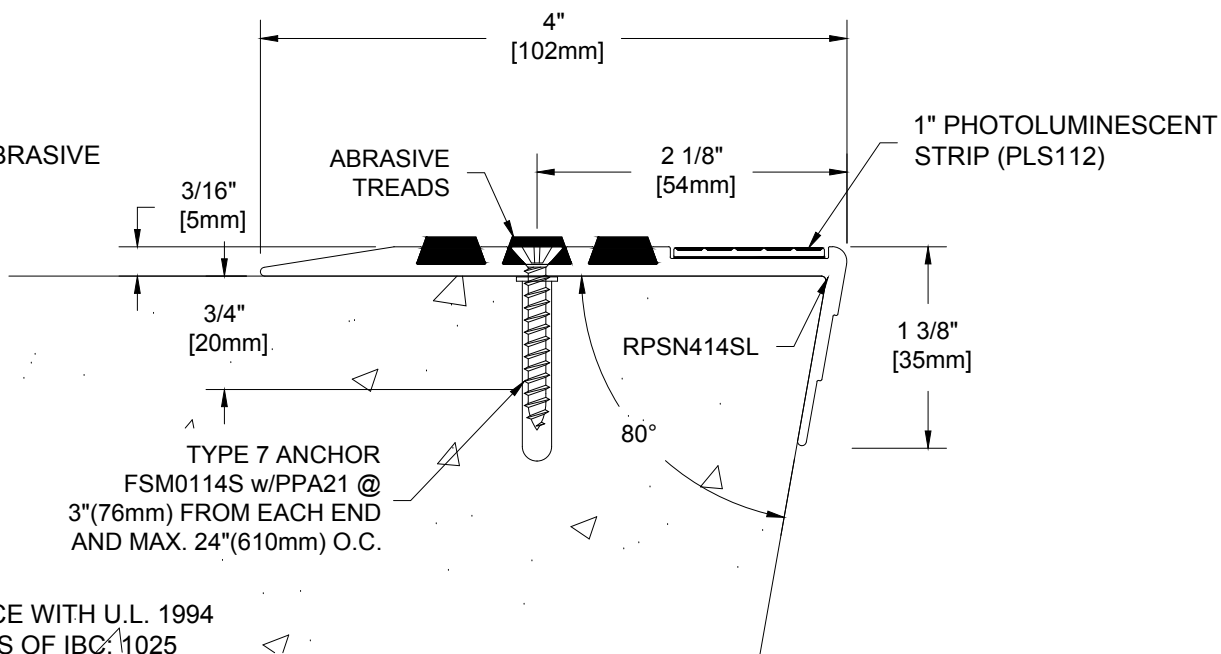


RS-405LP-PL-100

ILLUMITREAD™ STAIR NOSING
MILL FINISH ALUMINUM EXTRUSION

NOTE: CONSTRUCTION ADHESIVE
(BY OTHERS) REQUIRED FOR INSTALLATION

COLOR: _____
PLEASE SELECT AN ABRASIVE
COLOR FROM CHART



LISTED IN ACCORDANCE WITH U.L. 1994
MEETS REQUIREMENTS OF IBC 1025

Project:	
Customer:	
SO#	
Date:	
Page ___ of ___	Scale: NTS

Length	Qty.	Color

Drawn By: HRS



A CSW Industrials Company

The information contained herein is the proprietary property of BALCO®. No portion of it may be reproduced by any means or used in any form except for the purpose for which it was furnished. All rights of design and invention are hereby reserved.

REV. - 10/30/18