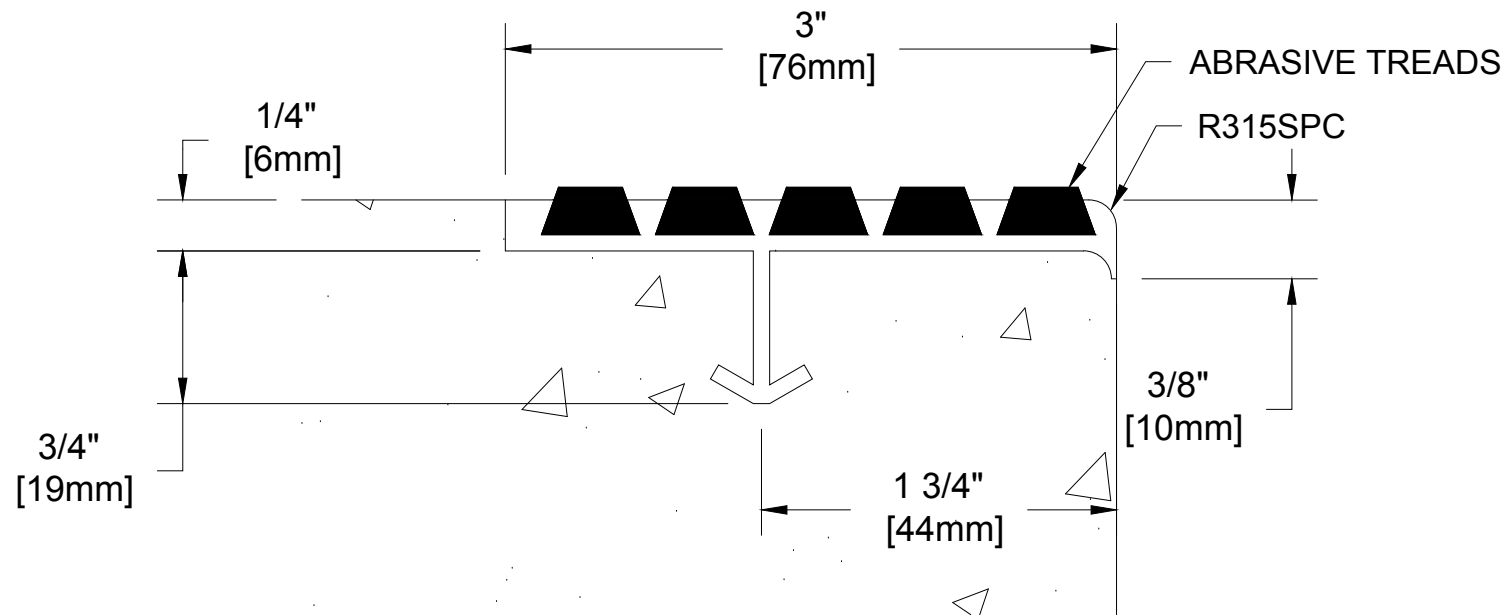


R-315PC

SINGLE COMPONENT STAIR NOSING
 MILL FINISH ALUMINUM
 MAXIMUM LENGTH 10'-0" (3048mm)

COLOR: _____
 PLEASE SELECT AN ABRASIVE
 COLOR FROM CHART



Project:	
Customer:	
SO#	
Date:	
Page ___ of ___	Scale: NTS

Length	Qty.	Color

Drawn By: HRS



The information contained herein is the proprietary property of BALCO®. No portion of it may be reproduced by any means or used in any form except for the purpose for which it was furnished. All rights of design and invention are hereby reserved.

REV. - 08/03/18