

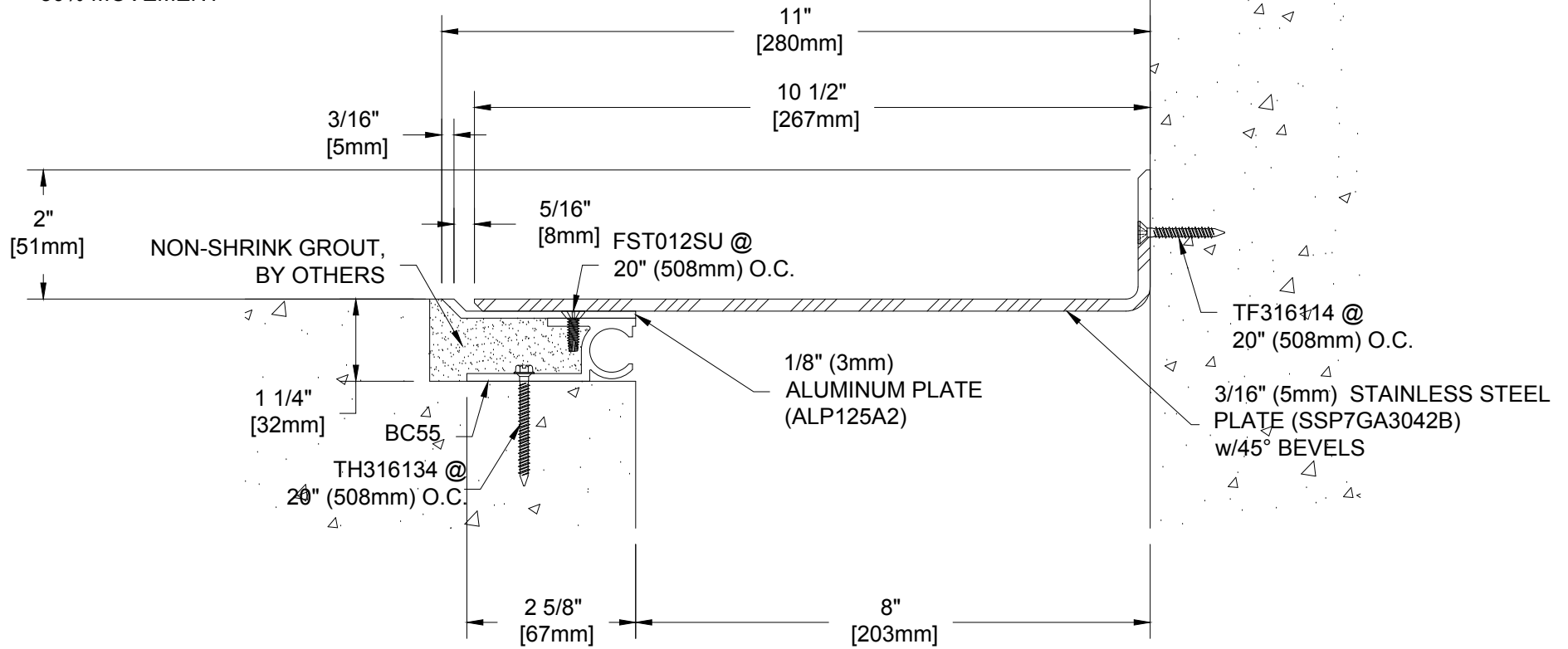
NBSFL-4-8

NO BUMP FLOOR TO WALL SYSTEM

MILL FINISH ALUMINUM BASE

DIRECTIONAL TEXTURED FINISH STAINLESS STEEL COVER

50% MOVEMENT



Project:	
Customer:	
SO#	
Date:	
Page ___ of ___	Scale: NTS

Length	Qty.	Color

Drawn By: HRS



A CSW Industrials Company

The information contained herein is the proprietary property of BALCO®. No portion of it may be reproduced by any means or used in any form except for the purpose for which it was furnished. All rights of design and invention are hereby reserved.

REV. - 08/28/18