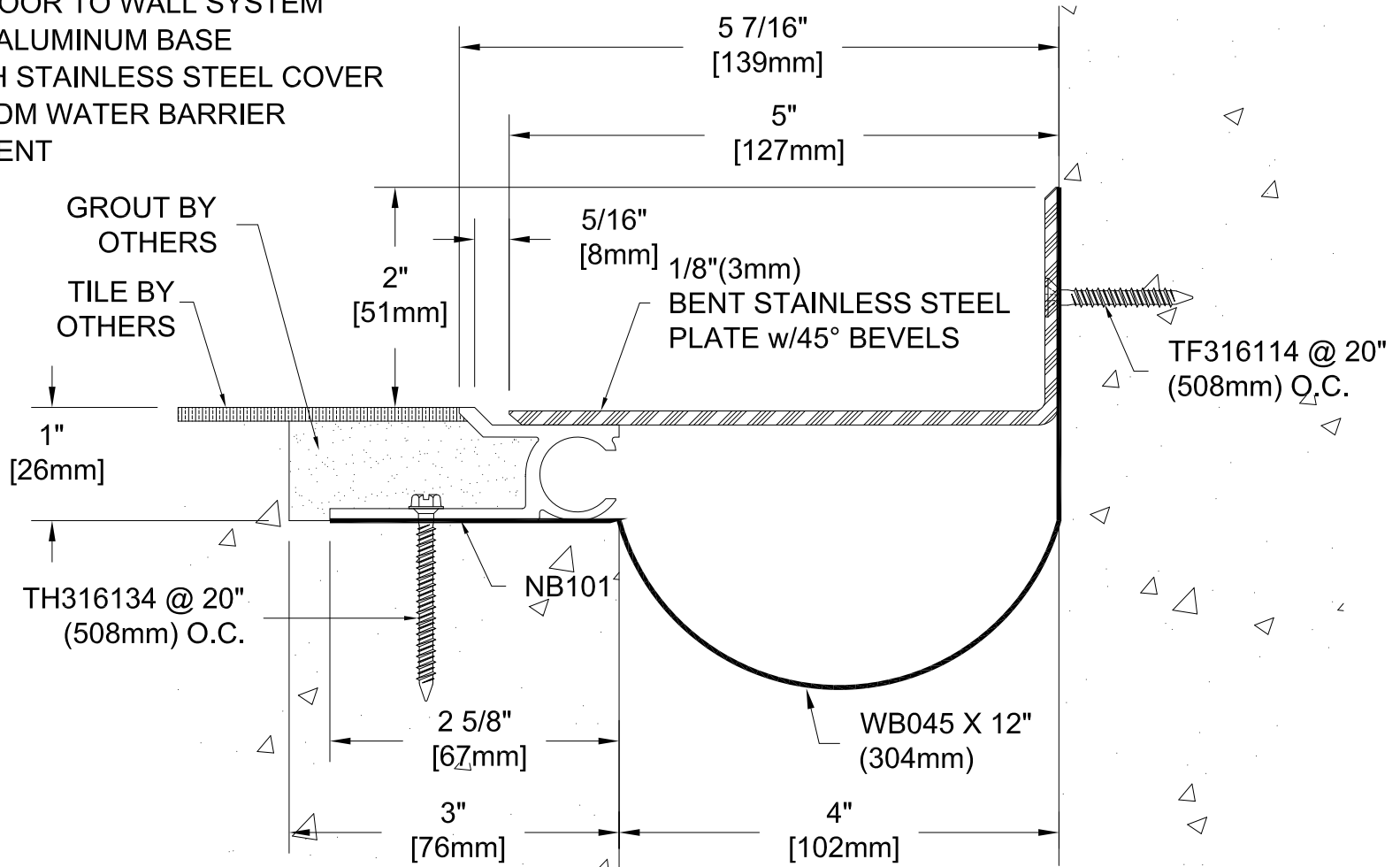


NBSFL-2-4g

NO-BUMP FLOOR TO WALL SYSTEM
 MILL FINISH ALUMINUM BASE
 SATIN FINISH STAINLESS STEEL COVER
 w/ 45 MIL EPDM WATER BARRIER
 50% MOVEMENT



NOTE:
 FOR WATER BARRIER - APPLY A
 MASTIC SETTING BED, BY OTHERS

| | |
|-----------------|------------|
| Project: | |
| Customer: | |
| SO# | |
| Date: | |
| Page ___ of ___ | Scale: NTS |

| Length | Qty. | Color |
|--------|------|-------|
| | | |
| | | |
| | | |
| | | |

Drawn By: RJT

The information contained herein is the proprietary property of **BALCO, INC.** No portion of it may be reproduced by any means or used in any form except for the purpose for which it was furnished. All rights of design and invention are hereby reserved.



BALCO INC
 2626 S. Sheridan PO Box 17249
 Wichita, Kansas 67217-0249 USA
 P: +1-316-945-9328 F: +1-316-945-0789