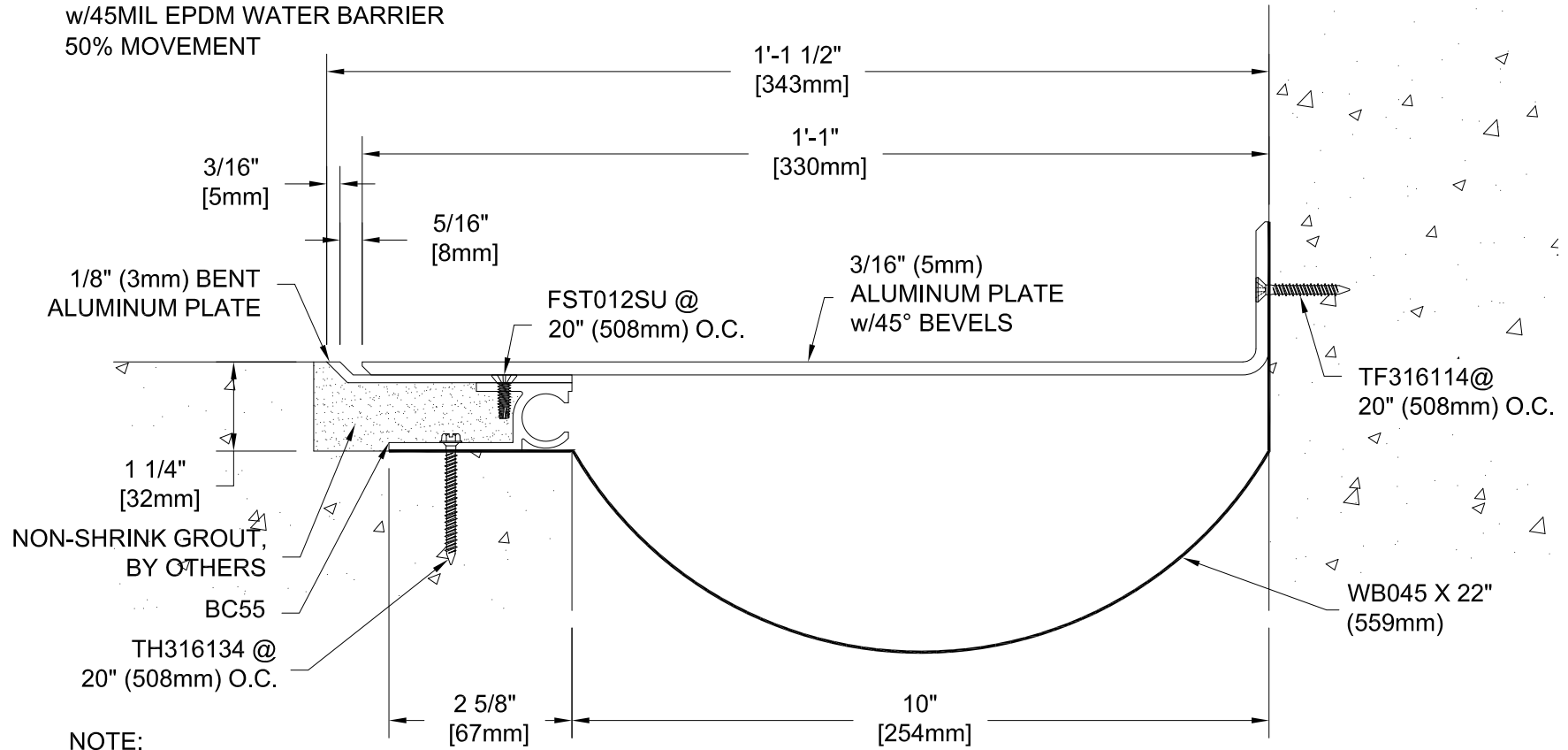


**NBAFL-5-10g**

ALL ALUMINUM FLOOR TO WALL SYSTEM  
 MILL FINISH ALUMINUM BASE  
 MILL FINISH ALUMINUM COVER PLATE  
 w/45MIL EPDM WATER BARRIER  
 50% MOVEMENT



**NOTE:**  
 FOR WATER BARRIER - APPLY A MASTIC  
 SETTING BED, BY OTHERS

Project:	
Customer:	
SO#	
Date:	
Page ___ of ___	Scale: NTS

Length	Qty.	Color

Drawn By: RJT

The information contained herein is the proprietary property of **BALCO, INC.** No portion of it may be reproduced by any means or used in any form except for the purpose for which it was furnished. All rights of design and invention are hereby reserved.



2626 S. Sheridan PO Box 17249  
 Wichita, Kansas 67217-0249 USA  
 P: +1-316-945-9328 F: +1-316-945-0789