

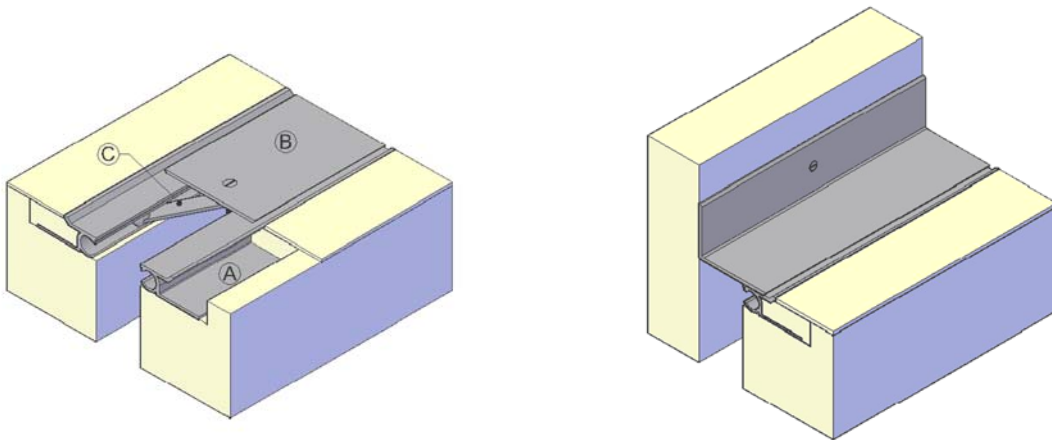
# NBAF(L) & NBSF(L) Floor Systems

## Installation Instructions

**N**BAAF(L) & NBSF(L) Floor Systems - The following installation instructions are very important. Read them carefully, and be sure you understand them completely, before you begin any work. Refer to Balco shop drawings for placement dimensions and anchor spac-

### Parts:

- A. Base Member      B. Cover Plate      C. Centering Bar  
D. Centering Bar Bolt      E. Anchors

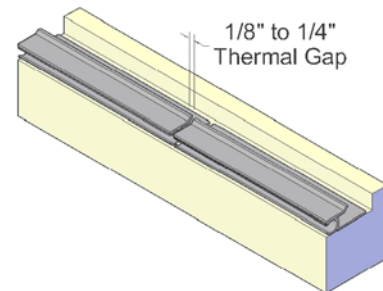


### Step 1:

This system requires that the floor slab be blocked-out for installation. Reference Balco approved shop drawings for block-out dimensions. Ensure that the block-out is level and that the concrete has completely set before proceeding with installation.

### Important Note:

For installations exposed to significant daily or seasonal temperature changes, it is necessary to leave a gap between adjoining base member extrusions. This gap allows for thermal expansion. An 1/8" gap is recommended for extrusions 10'-0" in length or less; a 1/4" gap is recommended for extrusions exceeding 10'-0" in length.



## Step 2: Drill Base Member Anchor Holes

Clean block-out of any loose materials. Grout where necessary to level the setting bed. Mark and drill base member anchor locations. Using the drilled base member as a template, mark and drill slab anchor holes. Anchors should be spaced a maximum of 3" (76mm) from each end. Reference Balco approved shop drawings for O.C. spacing requirements.

*If fire barrier is to be installed with the expansion joint cover, anchor hole spacing should reflect fire barrier anchor spacing requirements.*

- ◆ Repeat for each subsequent base member and opposite side of the joint for floor-floor models.

---

## Step 3: Install Fire Barrier / Water Barrier (If Applicable)

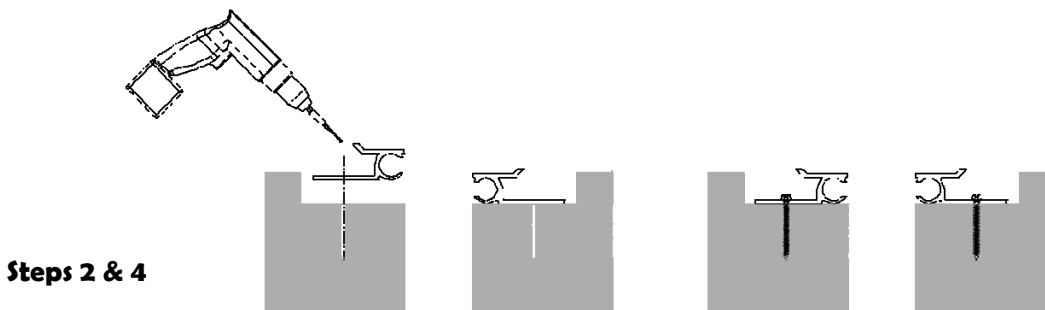
If required, fire barrier or water barrier should be installed at this time. Reference the appropriate instructions for information on how to install these products.

---

## Step 4: Secure Base Members to Slab

Select a section of the previously drilled base member and place it into position for installation. Ensuring that the extrusion is level and aligned, fasten the base member to the slab using the factory provided anchors.

- ◆ Repeat for each subsequent base member and opposite side of the joint for floor-floor models.

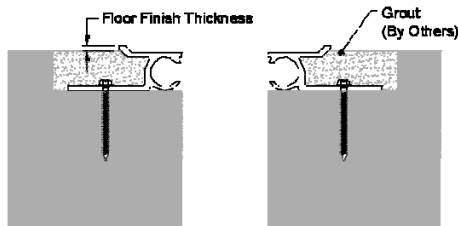


---

## Step 5: Apply Grout

Apply grout (provided by others) continuously between the base members and the block-out. Remove any excess grout from the exposed surfaces of the aluminum base members.

- ◆ Repeat as necessary for the opposite side of the

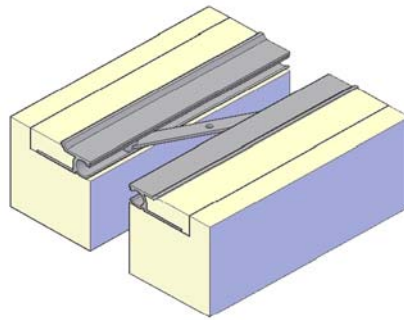


**Step 5: Install Centering Bars** (*Applies to Floor-to-Floor Models Only*)

Select a section of cover plate and the appropriate number of centering bars for the section of cover plate being installed. Each pre-drilled cover plate bolt hole requires (1) centering bar and (1) bolt.

Select a centering bar and insert the spheres into the base member's track using the notch provided in the center of each section of base member. Use the cover plate's pre-drilled bolt holes as a reference for positioning each centering bar.

- ◆ Repeat as necessary until all successive centering bars have been installed.  
**Centering bars must be installed parallel to one another.**



---

**Step 6: Attach the Cover Plate**

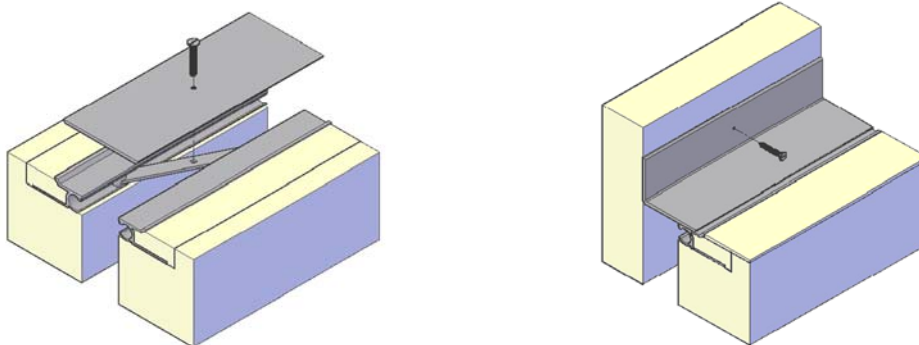
Floor to Floor Models:

Select a section of cover plate and place it into position for installation. Using the centering bar bolts provided, attach the cover plate to each centering bar. The centering bar bolts should be tightened by hand until snug. Do not over-tighten.

Floor-to-Wall Models:

Select a section of cover plate for installation. If the cover plate's anchor holes were not drilled at the factory, mark and drill the anchor holes on the cover plate. Using the cover plate as a template, mark and drill the anchor holes on the wall. Fasten the cover plate to the wall using the factory provided anchors.

- ◆ Repeat as necessary for each successive section of cover plate.



### Step 7: Install Floor Finish

If required, floor finish material is to be installed at this time. Install floor finish material in accordance with the instructions provided by the floor finish manufacturer.

