

NBAF-4-8g

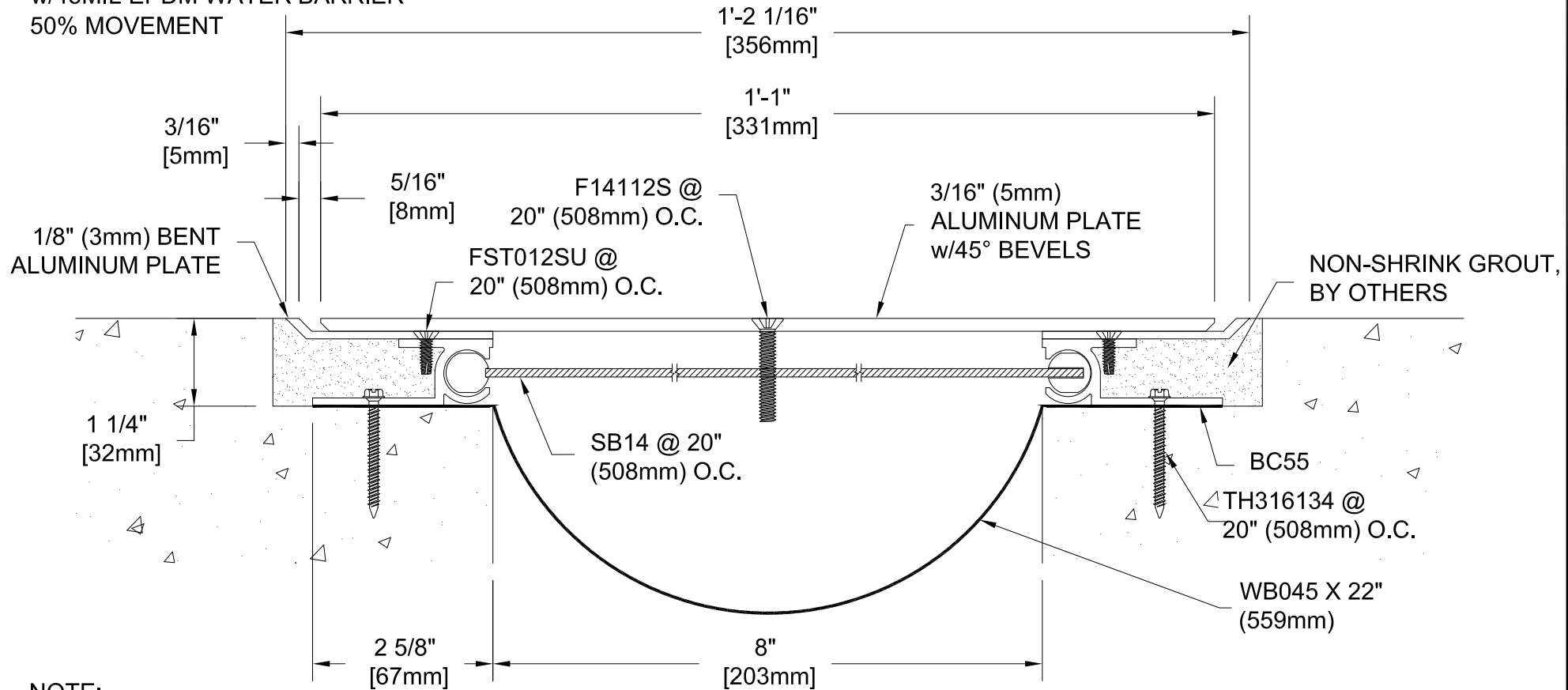
ALL ALUMINUM FLOOR TO FLOOR SYSTEM

MILL FINISH ALUMINUM BASE

MILL FINISH ALUMINUM COVER PLATE

w/45MIL EPDM WATER BARRIER

50% MOVEMENT



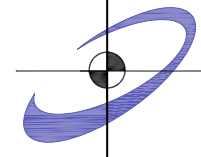
NOTE:
FOR WATER BARRIER - APPLY A MASTIC
SETTING BED, BY OTHERS

Project:	
Customer:	
SO#	
Date:	
Page ___ of ___	Scale: NTS

Length	Qty.	Color

Drawn By: RJT

The information contained herein is the proprietary property of **BALCO, INC.** No portion of it may be reproduced by any means or used in any form except for the purpose for which it was furnished. All rights of design and invention are hereby reserved.



BALCO INC

2626 S. Sheridan PO Box 17249
Wichita, Kansas 67217-0249 USA
P: +1-316-945-9328 F: +1-316-945-0789