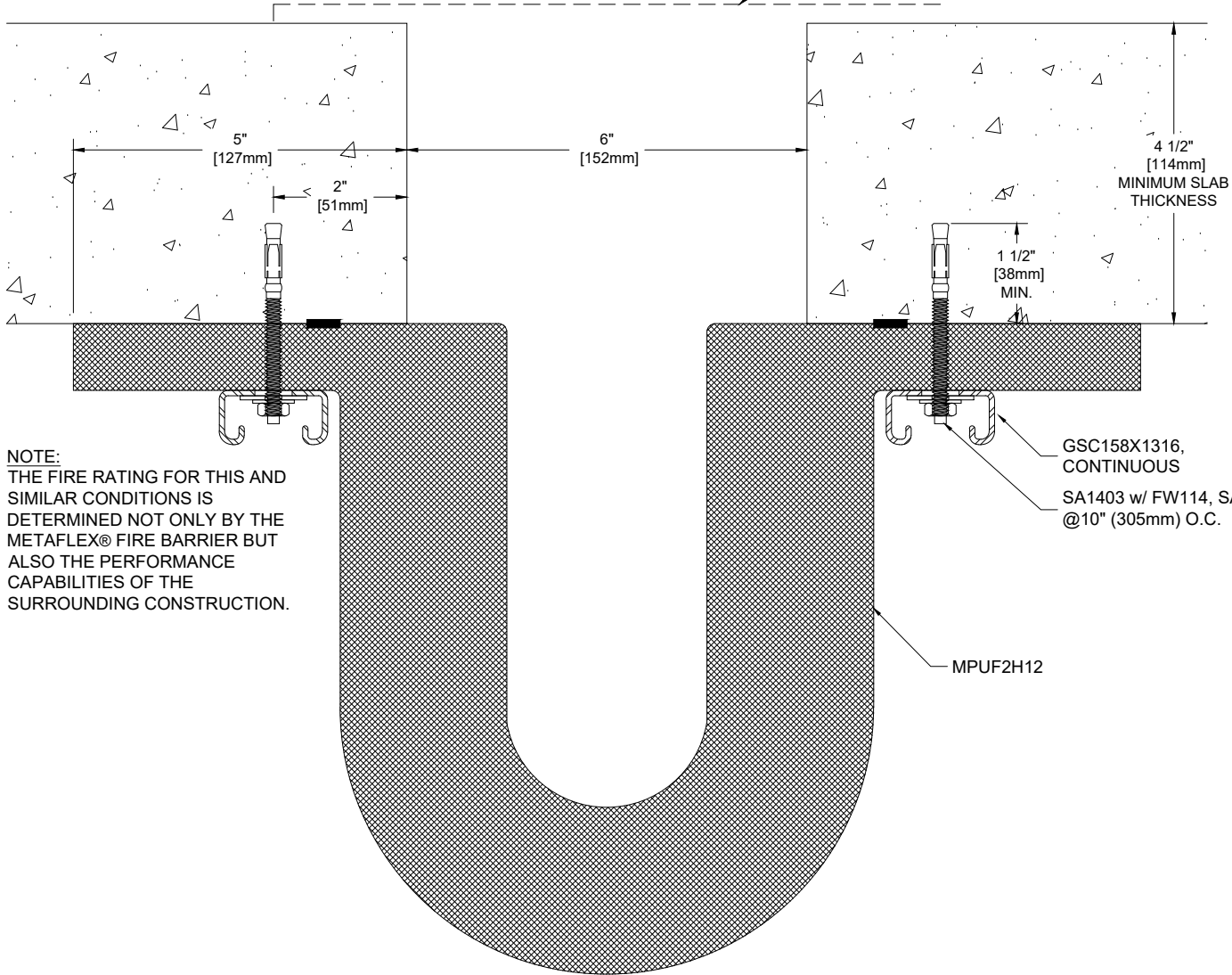


**MPUF2H12**  
 UNDER-SLAB FLOOR FIRE BARRIER  
 2 HOUR RATED  
 MAXIMUM OPENING 12" (305mm)  
 INTERTEK LISTING # BA/EC 120-02

A MINIMUM 3/16" THICK ALUMINUM COVER IS REQUIRED TO MAINTAIN 2 HOUR RATING (BY OTHERS)



**NOTE:**  
 THE FIRE RATING FOR THIS AND SIMILAR CONDITIONS IS DETERMINED NOT ONLY BY THE METAFLEX® FIRE BARRIER BUT ALSO THE PERFORMANCE CAPABILITIES OF THE SURROUNDING CONSTRUCTION.

GSC158X1316, CONTINUOUS  
 SA1403 w/ FW114, SAWA14, SAHN14 @10" (305mm) O.C.

MPUF2H12

Project:
Customer:
SO#
Date:
Page ___ of ___
Scale: NTS

Length	Qty.	Color

Drawn By: HRS



A CSW Industrials Company

The information contained herein is the proprietary property of BALCO®. No portion of it may be reproduced by any means or used in any form except for the purpose for which it was furnished. All rights of design and invention are hereby reserved.

REV. - 07/16/19