



HDNBL

Heavy Duty Floor EJC

IMPORTANT

The following instructions are very important.

Read them carefully, and be sure you understand them completely before you begin any work.

Store this product in the horizontal position in a clean, dry location. This is a finished product. Store this product in a protected area. Do not stack anything on top of this product.

Review approved Balco shop drawings for types and locations prior to beginning work.

RECOMMENDED TOOLS

TAPE MEASURE / CHOP SAW / DRILL / DRILL BITS FOR CONCRETE / SCREWDRIVERS AND SOCKET DRIVERS / GROUT / TROWEL

STEP ONE

If fire barrier is provided in conjunction with the joint cover system, install the fire barrier at this time.

Install the fire barrier in accordance with the applicable fire barrier installation instructions and Balco shop drawings or details.

STEP TWO

If water barrier is to be installed in conjunction with the joint cover system, place the water barrier in its installed position in the joint at this time.

Reference Balco supplementary installation instruction "EPDM Water Barrier Installation Instructions" for information regarding EPDM installation, splicing, and transitions.

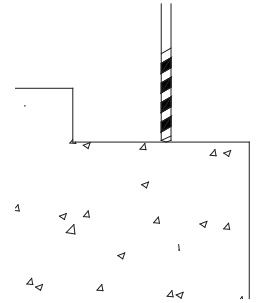
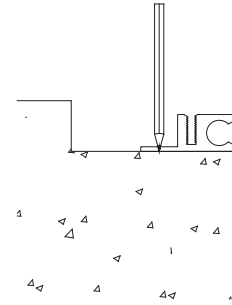
HDNBL Heavy Duty Floor EJC

STEP THREE

Select a supporting base member and place it in its installed position within the blockout.

Using the base member as a template, mark the locations for the anchors on the concrete.

Remove the base member and drill the anchor holes at the marked locations. Remove all dirt and debris from the anchor holes and blockouts.



IMPORTANT

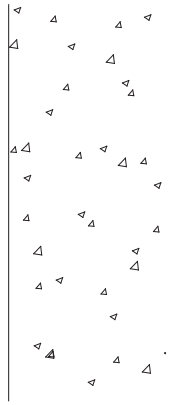
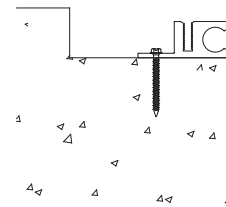
Observe normal safety precautions when drilling to avoid all utilities and rebar.

STEP FOUR

Place the supporting base member into its installed position, and using the fasteners provided by the factory, attach it to the concrete.

Ensure it is plumb, level, and properly aligned.

Repeat **Steps Three and Four** until all base members are installed on both sides of the joint.



IMPORTANT

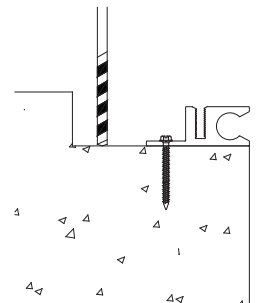
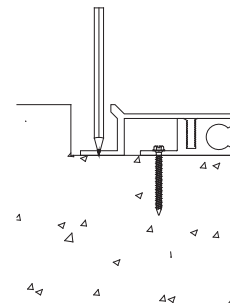
Because these joint covers are installed in non-climate controlled environments, it is necessary to leave a gap between adjacent joint cover sections and between joint covers and adjacent construction. A gap of 1/16" is required for every 40°F (22°C) of anticipated temperature rise from the ambient temperature at installation.

STEP FIVE

Select a base member and place it in its installed position within the blockout.

Using the base member as a template, mark the locations for the anchors on the concrete.

Remove the base member and drill the anchor holes at the marked locations. Remove all dirt and debris from the anchor holes and blockouts.



IMPORTANT

Observe normal safety precautions when drilling to avoid all utilities and rebar.

HDNBL Heavy Duty Floor EJC

STEP SIX

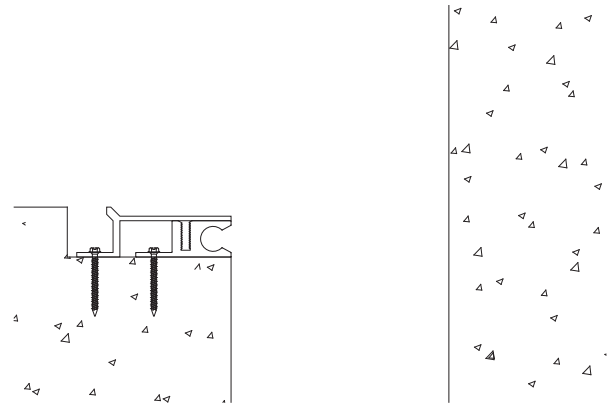
Place the base member into its installed position, and using the fasteners provided by the factory, attach it to the concrete.

Ensure it is plumb, level, and properly aligned.

Repeat **Steps Five and Six** until all base members are installed on both sides of the joint.

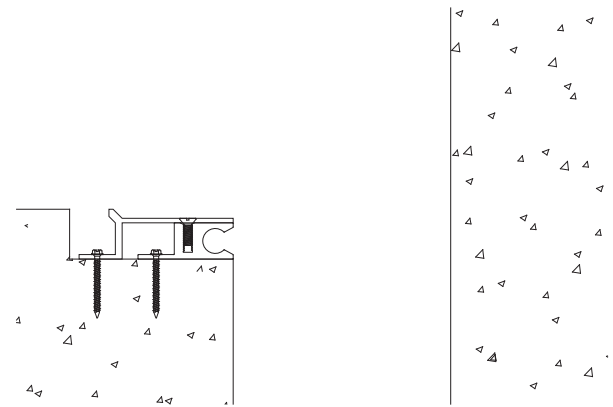
IMPORTANT

Because these joint covers are installed in non-climate controlled environments, it is necessary to leave a gap between adjacent joint cover sections and between joint covers and adjacent construction. A gap of 1/16" is required for every 40°F (22°C) of anticipated temperature rise from the ambient temperature at installation.



STEP SEVEN

Secure the base members together with the supplied fasteners.

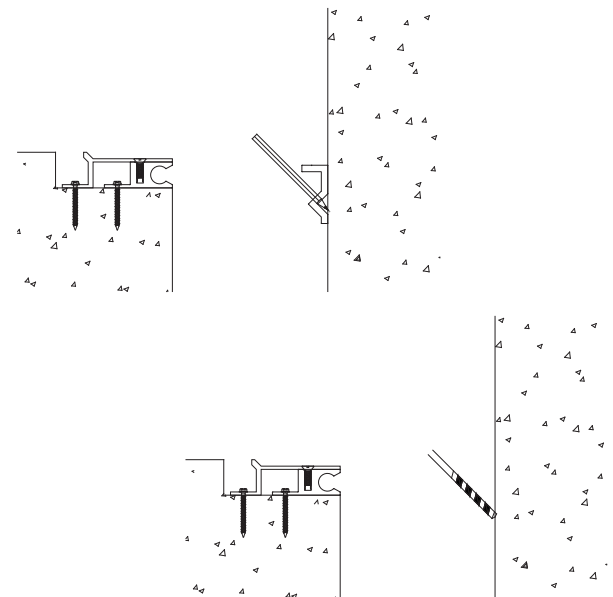


STEP EIGHT

Select a wall base member and place it in its installed position against the wall.

Using the wall base member as a template, mark the locations for the anchors on the wall.

Remove the base member and drill the anchor holes at the marked locations. Remove all dirt and debris from the anchor holes and wall.



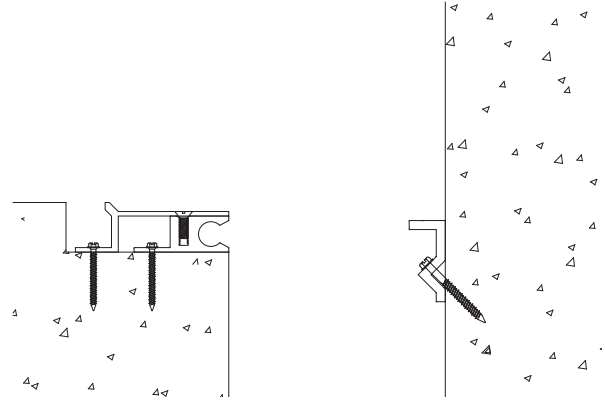
HDNBL Heavy Duty Floor EJC

STEP NINE

Place the wall base member into its installed position, and using the fasteners provided by the factory, attach it to the wall.

Ensure it is plumb, level, and properly aligned at the proper elevation.

Repeat **Steps Five and Six** until all wall base members are installed.



IMPORTANT

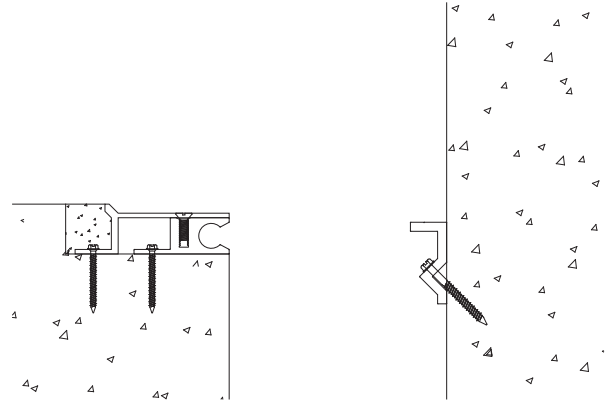
Because these joint covers are installed in non-climate controlled environments, it is necessary to leave a gap between adjacent joint cover sections and between joint covers and adjacent construction. A gap of 1/16" is required for every 40°F (22°C) of anticipated temperature rise from the ambient temperature at installation.

STEP TEN

Apply grout (by others) into the channel formed by the base member and blockout.

IMPORTANT

Install the grout in accordance with the materials manufacturer's written instructions using tools and techniques recommended by the manufacturer. Allow the materials to completely dry per manufacturer's written instructions before proceeding.



STEP ELEVEN

Select a cover plate cushion, a cover plate, and cover plate fasteners.

Place the cover plate cushion on the wall base member and align the anchor holes in the cushion with the anchor holes in the wall base member.

Place the cover plate on the cover plate cushion, aligning the cover plate holes with the cushion and wall base member holes.

Use the cover plate fasteners to secure the cover plate in place.

Repeat this process for all cover plates.

