



System No. FF-D-1138
XHBN.FF-D-1138
Joint Systems

[Page Bottom](#)

Design/System/Construction/Assembly Usage Disclaimer

- Authorities Having Jurisdiction should be consulted in all cases as to the particular requirements covering the installation and use of UL Certified products, equipment, system, devices, and materials.
- Authorities Having Jurisdiction should be consulted before construction.
- Fire resistance assemblies and products are developed by the design submitter and have been investigated by UL for compliance with applicable requirements. The published information cannot always address every construction nuance encountered in the field.
- When field issues arise, it is recommended the first contact for assistance be the technical service staff provided by the product manufacturer noted for the design. Users of fire resistance assemblies are advised to consult the general Guide Information for each product category and each group of assemblies. The Guide Information includes specifics concerning alternate materials and alternate methods of construction.
- Only products which bear UL's Mark are considered Certified.

XHBN - Joint Systems

XHBN7 - Joint Systems Certified for Canada

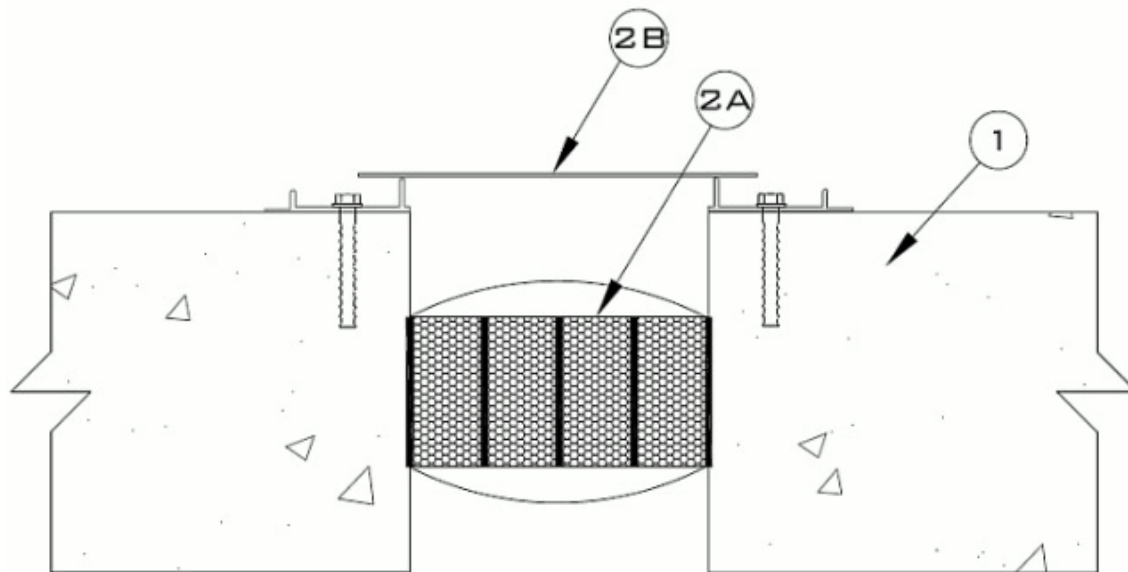
[See General Information for Joint Systems](#)

[See General Information for Joint Systems Certified for Canada](#)

System No. FF-D-1138

November 01, 2013

ANSI/UL2079	CAN/ULC S115
Assembly Rating - 2 Hr	F Rating - 2 Hr
Nominal Joint Width — 4in.	FT Rating - 2 Hr
Class II and III Movement Capabilities - 50 % Compression or Extension	FH Rating - 0 Hr
	FTH Rating - 0 Hr
	Nominal Joint Width — 102 mm
	Class II and III Movement Capabilities — 50 % Compression or Extension



1. **Floor Assembly** — Min 4-1/2 in. (114 mm) thick reinforced lightweight or normal weight (100-150 pcf or 1600-2400 kg/m³) concrete.

2. **Joint System** — Nominal width of joint (at time of installation of joint system) is 4 in. (102 mm) The joint system is designed to accommodate a max 50 percent compression or extension from it's installed width. Installation width may exceed or be less than 4 in (102 mm) provided installation width plus max. extension width does not exceed 6 in. (153 mm). The joint system shall consist of the following:

A. **Mechanical Joint Assembly*** — Flexible multiple layer mat and foam fire barrier shall be installed in accordance with the installation instructions accompanying the units.

BALCO INC — MetaBlock™

B. **Joint Cover** — Min 20 ga. joint cover and retaining strap formed from aluminum, bronze, stainless or galv steel and secured in accordance with manufacturer's instructions.

* Indicates such products shall bear the UL or cUL Certification Mark for jurisdictions employing the UL or cUL Certification (such as Canada), respectively.

Last Updated on 2013-11-01

[Questions?](#)

[Print this page](#)

[Terms of Use](#)

[Page Top](#)

© 2016 UL LLC

The appearance of a company's name or product in this database does not in itself assure that products so identified have been manufactured under UL's Follow-Up Service. Only those products bearing the UL Mark should be considered to be Certified and covered under UL's Follow-Up Service. Always look for the Mark on the product.

UL permits the reproduction of the material contained in the Online Certification Directory subject to the following conditions: 1. The Guide Information, Assemblies, Constructions, Designs, Systems, and/or Certifications (files) must be presented in their entirety and in a non-misleading manner, without any manipulation of the data (or drawings). 2. The statement "Reprinted from the Online Certifications Directory with permission from UL" must appear adjacent to the extracted material. In addition, the reprinted material must include a copyright notice in the following format: "© 2016 UL LLC".