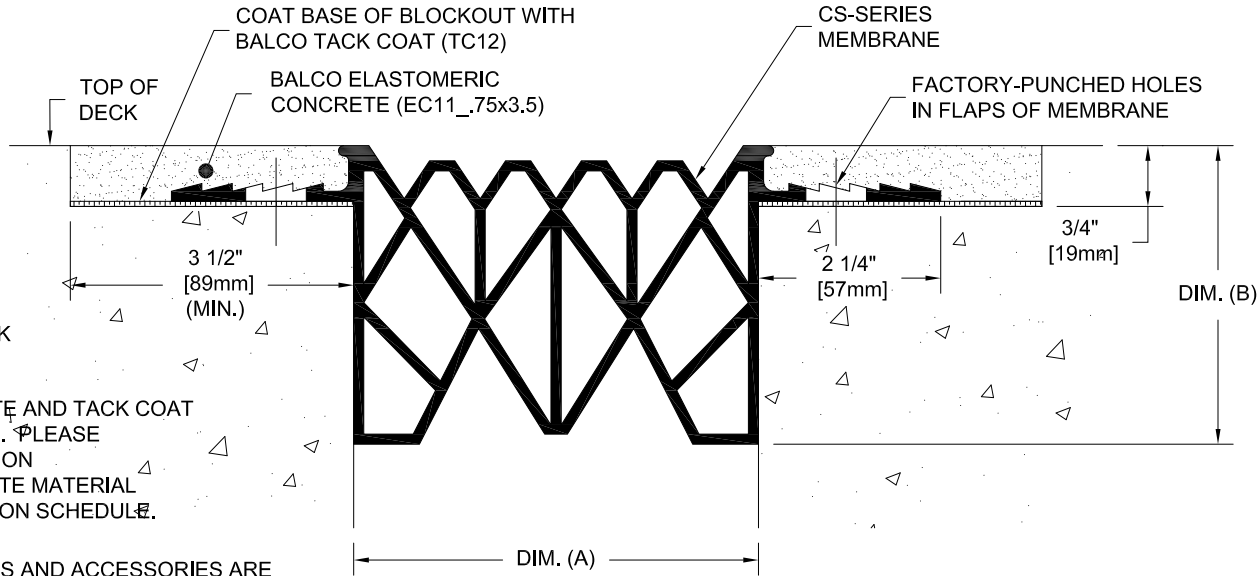


**CS-500 to 600**  
CHAMBERED  
SEAL SYSTEM



**COLORS**  
CS SERIES SEAL: AVAILABLE IN  
BLACK ONLY

NOTE: EC11 AVAILABLE IN BLACK  
ONLY

NOTE: ELASTOMERIC CONCRETE AND TACK COAT  
HAS A DESIGNATED SHELF LIFE. PLEASE  
REFERENCE BALCO INSTALLATION  
INSTRUCTIONS AND COORDINATE MATERIAL  
ORDER WITH YOUR INSTALLATION SCHEDULE.

NOTE: EXTERIOR SEAL SYSTEMS AND ACCESSORIES ARE  
NON-RETURNABLE ITEMS. PLEASE BE SURE TO FIELD  
VERIFY JOINT SIZE AND LENGTHS BEFORE RELEASING  
YOUR ORDER FOR FABRICATION.

MODEL	TOTAL	JOINT OPENING			INSTALLATION SIZE		DEPTH
	MOVEMENT	NOMINAL (A)	MIN (A)	MAX (A)	MIN.	MAX.	DIM (B)
<b>CS-500</b>	3 1/4" (83mm)	3" (76mm)	1 3/4" (44mm)	5" (127mm)	2 1/4" (57mm)	4 1/2" (114mm)	3 11/16" (94mm)
<b>CS-600</b>	3 7/8" (98mm)	3 1/2" (89mm)	2 1/8" (54mm)	6" (152mm)	2 3/4" (70mm)	5 1/2" (140mm)	4 3/16" (106mm)

**COLORS**  
CS SERIES SEAL: AVAILABLE IN BLACK ONLY

Project:	
Customer:	
SO#	
Date:	
Page ___ of ___	Scale: NTS

Length	Qty.	Color

Drawn By: RJT

The information contained herein is the proprietary property of **BALCO, INC.** No portion of it may be reproduced by any means or used in any form except for the purpose for which it was furnished. All rights of design and invention are hereby reserved.



2626 S. Sheridan PO Box 17249  
Wichita, Kansas 67217-0249 USA  
P: +1-316-945-9328 F: +1-316-945-0789