

BALCO INC

2626 South Sheridan • PO Box 17249 • Wichita, Kansas 67217
Phone: (316) 945-9328 • Fax: (316) 945-0789

***INSTALLATION INSTRUCTIONS
FOR 9500 SERIES
95GW & 95GWC WALL
EXPANSION JOINT COVERS***

INSTALLATION INSTRUCTIONS FOR BALCO, INC. 95GW & 95GWC WALL EXPANSION JOINT COVERS

The following installation instructions are very important. Read them carefully, and be sure you understand them completely before you begin any work.

STORAGE & HANDLING

The expansion joint covers are shipped unassembled. Store this product in the horizontal position in a clean, dry location. This is a finished product. Store this product in a protected area.

95GW-_ PARTS LISTS

	<u>95GW-2</u>	<u>95GW-3</u>	<u>95GW-4</u>
A. Base Member	95201G	95201G	95201G
B. Anchor ¹	FSM0112	FSM0112	FSM0112
C. Center Plate	95203G	959303G	95403G
D. Anchor ²	F14112S	F14112S	F14112S
E. Centering Bar	SPB6	SPB8	SPB10
F. Elastomeric Fillers	CSQW2	CSQW2	CSQW2

¹ Anchors provided may differ from those listed herein, depending upon the installation configuration and the substrate.

² Spray Paint is applied to Centering Bar Bolts at the factory to facilitate centering bar installation.

95GWC-_ PARTS LISTS

	<u>95GWC-2</u>	<u>95GWC-3</u>	<u>95GWC-4</u>
A. Base Member	95201G	95201G	95201G
B. Anchor ¹	FSM0112	FSM0112	FSM0112
C. Cover Plate	Fabricated	Fabricated	Fabricated
D. Anchor ²	WSD82	WSD82	WSD82
E. Elastomeric Filler	CSQW2	CSQW2	CSQW2

¹ Anchors provided may differ from those listed herein, depending upon the installation configuration and the substrate.

TOOLS REQUIRED

This is a list of tools recommended for use in the installation of these joint cover systems. Tools are not provided by Balco, Inc.

- A. Drill Bits for Base Members (Metal) and Anchors (Wall).
- B. Electric Drill
- C. Phillips Bits

INSTALLATION

These installation instructions are for use in the installation of expansion joint cover types 95GW-2, 95GW-3, 95GW-4., 95GWC-2, 95GWC-3 and 95GWC-4. After the blockouts have been formed in the concrete or after

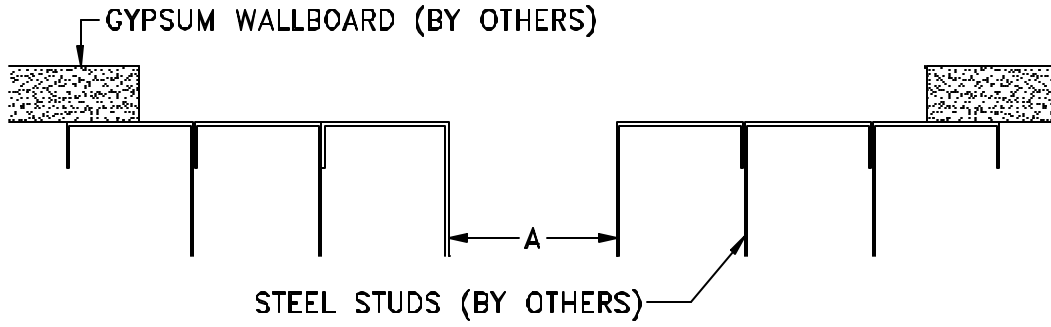


Figure 1

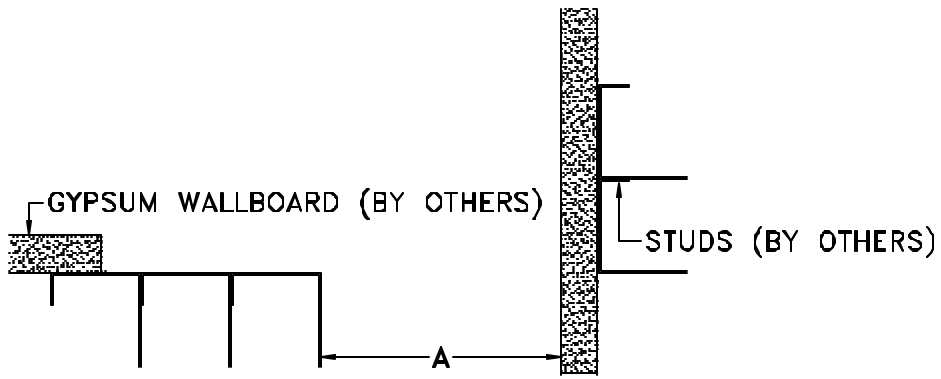


Figure 2

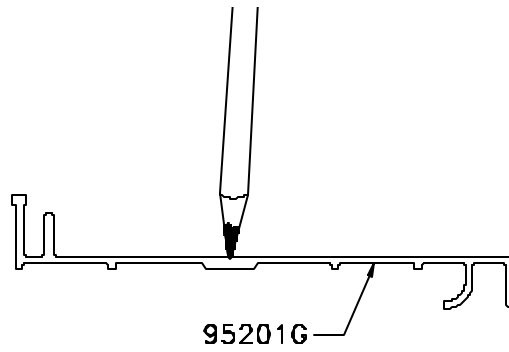


Figure 3

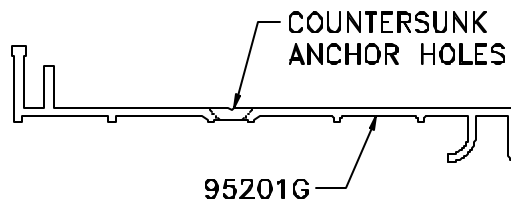


Figure 4

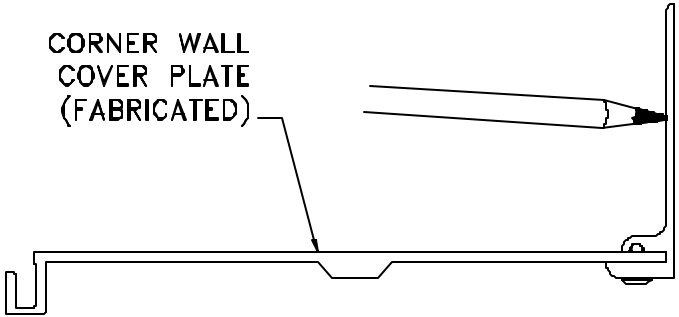


Figure 5

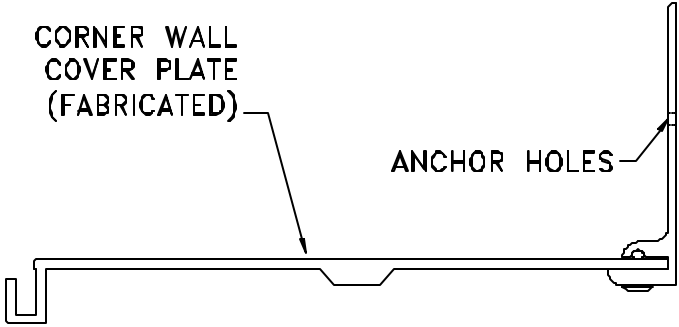


Figure 6

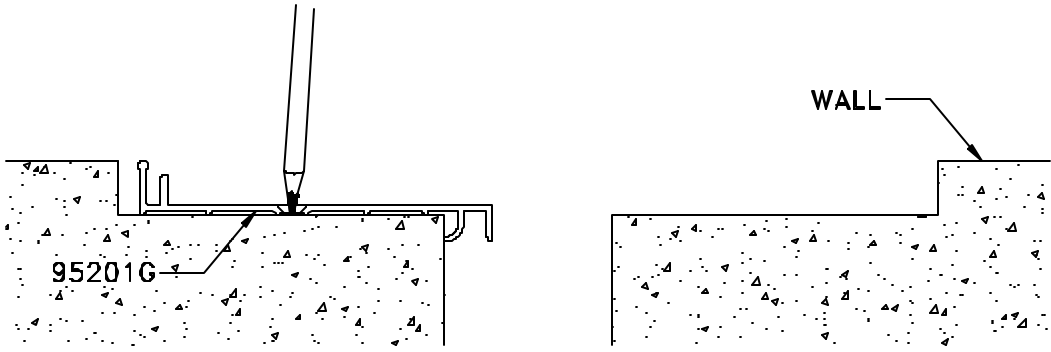


Figure 7

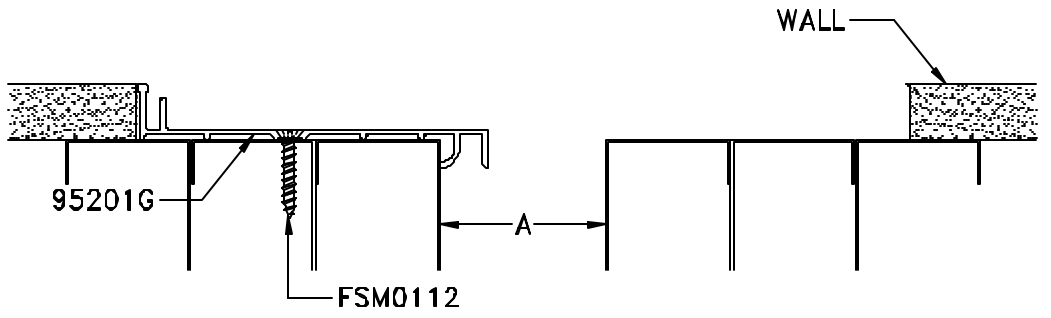


Figure 8

the masonry or stud and gypsum wallboard wall or ceiling are in place, the 9500 Series Expansion Joint Cover may be installed (see Figure 1 and Figure 2). The joint cover system shall be installed as follows:

- STEP 1.** Review Balco, Inc. approved shop drawings for types and locations.
- STEP 2.** Select a section of the base member.
- STEP 3.** If the anchor holes have not been pre-drilled in the base members at the factory, mark the locations for the anchor holes on the selected base member (see Figure 3). Standard anchor spacing is 20" O.C. with an anchor at a nominal 3" from each end of the base member.
- STEP 4.** Repeat Step 2 and Step 3 for each base member section.
- STEP 5.** If necessary, drill the holes into the base members at the locations marked in Step 3 and Step 4 (see Figure 4).
- STEP 6.** If fire barrier is specified, install it at this time. Refer to the installation instructions appropriate for the type of fire barrier provided for the recommended procedures used to install the fire barrier.
- STEP 7.** If water barrier is specified, install it at this time. Refer to the installation instructions entitled, "INSTALLATION INSTRUCTIONS FOR BALCO, INC. .045 EPDM WATER BARRIER SYSTEMS" for the recommended procedures for the installation of the water barrier.

NOTE: THE OPTIONAL WATER BARRIER MAY BE EITHER EPDM OR HYPALON. THE BASIC INSTALLATION OF THE WATER BARRIER IS THE SAME REGARDLESS OF WHICH OF THESE MATERIALS IS PROVIDED BY THE FACTORY. RECOMMENDED SPLICING METHODS VARY DEPENDING UPON WHICH MATERIAL IS PROVIDED.

- STEP 8.** If the installation is standard wall-to-wall, go to Step 12. For Corner Wall Installations, select a section of the corner wall cover plate.
- STEP 9.** If the anchor holes have not been pre-drilled in the corner wall cover plate at the factory, mark the locations for the anchor holes on the corner wall plate (see Figure 5). Standard anchor spacing is 20" O.C. with an anchor at a nominal 3" from each end of the corner wall cover plate.
- STEP 10.** Repeat Step 9 for each section of the corner wall cover plate.
- STEP 11.** If necessary, drill the holes into the corner wall cover plates at the locations marked in Step 9 and Step 10 (see Figure 6).
- STEP 12.** Select a base member, and place it in the installed position. Ensure that the base member is level, flush with the finished wall, and properly aligned. If the installation is into a stud and gypsum wallboard wall construction, proceed directly to Step 16.
- STEP 13.** Using the base member as a template, mark the anchor locations on the wall (see Figure 7).
- STEP 14.** Remove the base member from its position, and drill the anchor holes into the wall at the locations marked in Step 13. Drill the anchor holes 1/4" deeper than the length of the anchors. Clean away all dust and debris from the blockout.

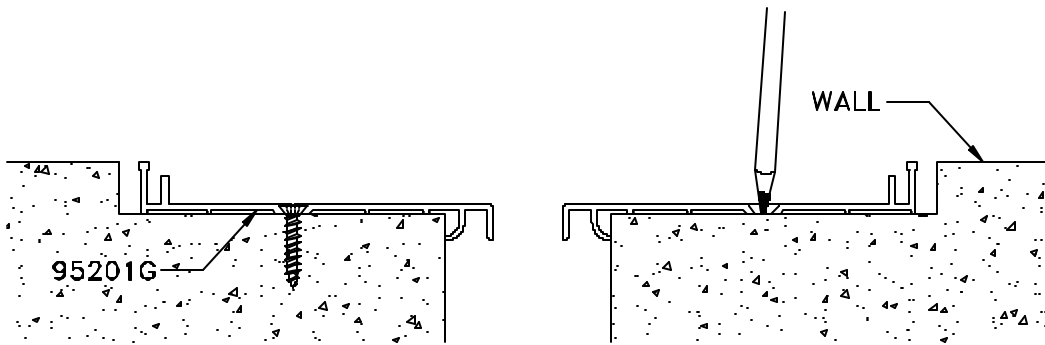


Figure 9

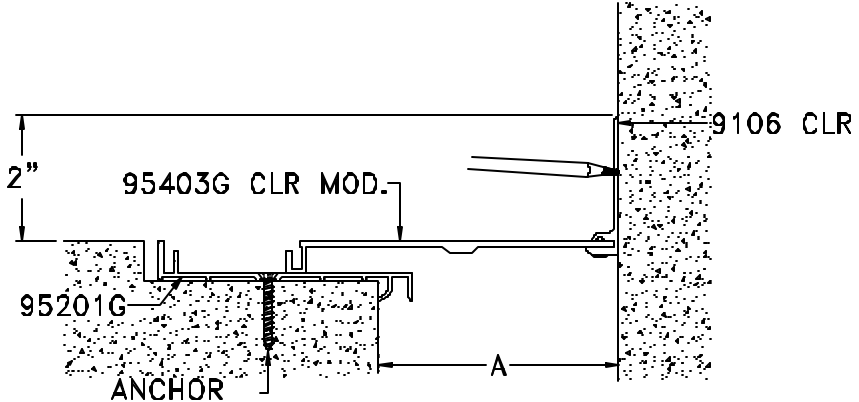


Figure 10

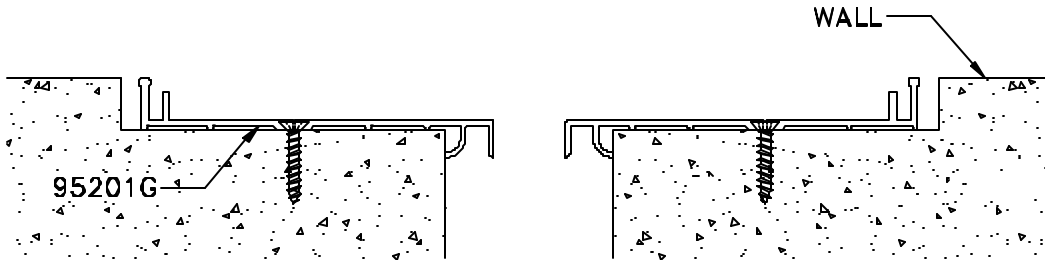


Figure 11

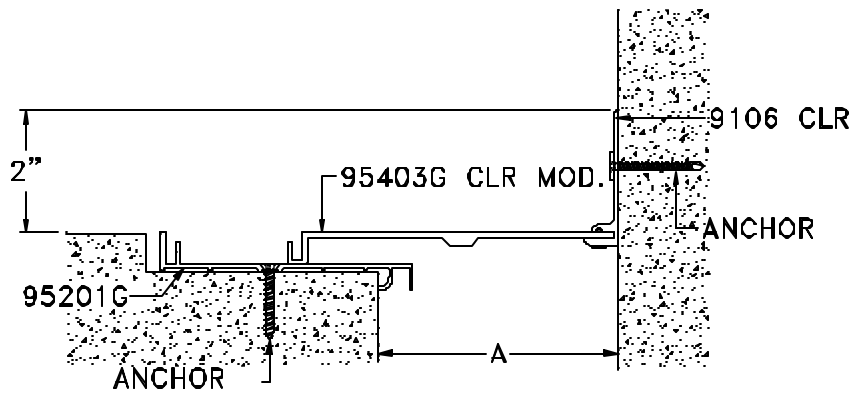


Figure 12

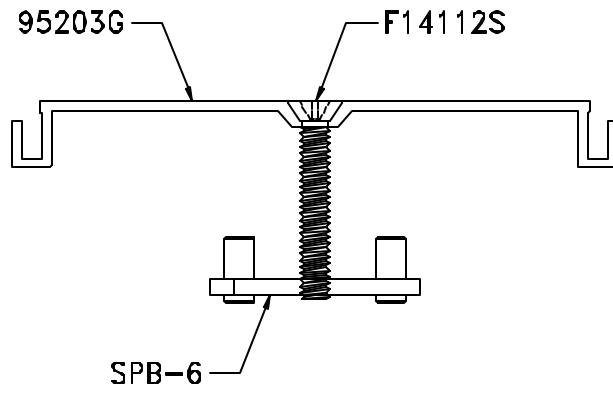


Figure 13

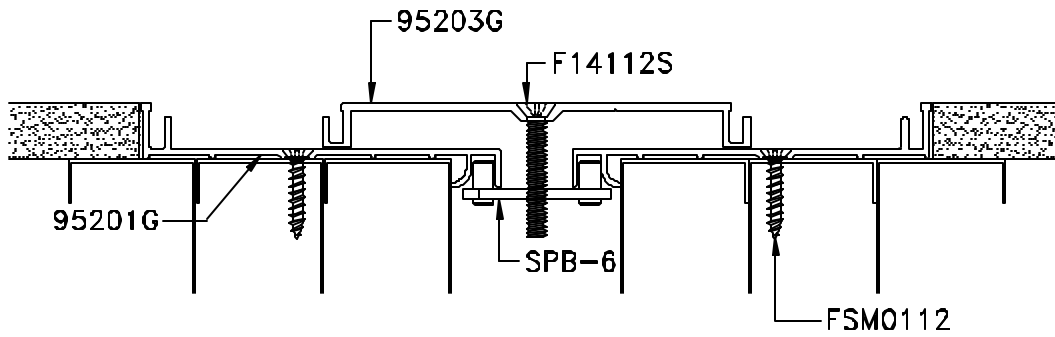


Figure 14

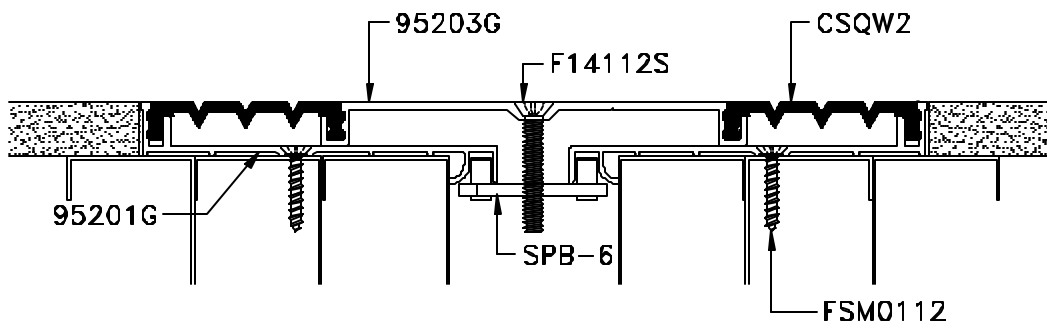


Figure 15

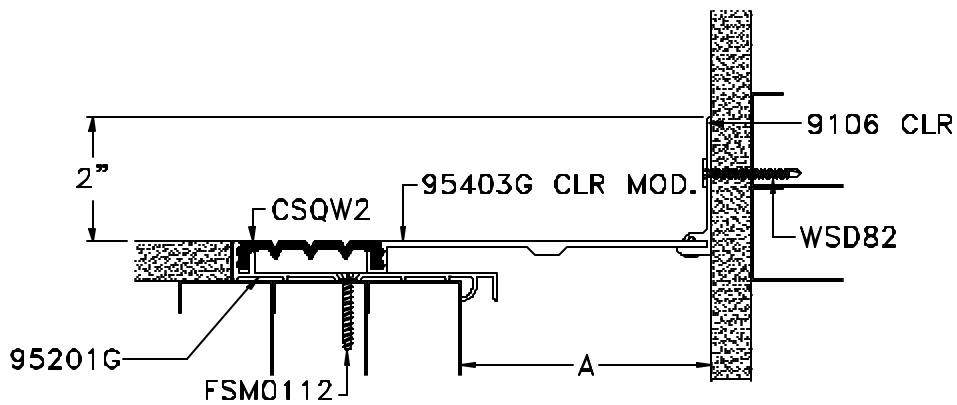


Figure 16

**NOTE: OBSERVE NORMAL SAFETY PRECAUTIONS WHEN DRILLING
TO AVOID ALL UTILITIES AND RE-BAR.**

- STEP 15.** Place the base member back into its installed position. Align the anchor holes in the base member with those in the concrete. Ensure that the base member is level, plumb, and properly aligned.
- STEP 16.** Attach the base member to the wall using the fasteners supplied by the factory (see Figure 8).
- STEP 17.** Select the opposite base member or the corner wall cover plate.
- STEP 18.** Place the selected base member or corner wall cover plate into its installed position. Ensure that the base member, or the corner wall cover plate, is level, flush with the finished wall and properly aligned. If the installation is in a stud and gypsum wallboard wall construction, proceed directly to Step 22.
- STEP 19.** Using the base member or the corner wall cover plate as a template, mark the locations for the anchors on the wall (see Figure 9 and Figure 10).
- STEP 20.** Remove the base member, or the corner wall cover plate, from its position, and drill the anchor holes into the concrete at the locations marked in Step 19. Drill the anchor holes 1/4" deeper than the length of the anchors. Clean away all dust and debris from the blockout.

**NOTE: OBSERVE NORMAL SAFETY PRECAUTIONS WHEN DRILLING
TO AVOID ALL UTILITIES AND RE-BAR.**

- STEP 21.** Place the base member, or the corner wall cover plate, back into its installed position. Align the anchor holes in the base member or cover plate with the anchor holes in the concrete. Ensure that the base member, or floor-to-wall cover plate remains properly aligned.
- STEP 22.** Attach the base member, or the corner wall cover plate, to the concrete slab using the fasteners supplied by the factory (see Figure 11 and Figure 12).
- STEP 23.** Repeat the procedures given in Step 12 and Step 22 for each section of the joint cover system.
- STEP 24.** For installations in concrete walls, place grout (by others) continuously between the base members and the blockout. Install the grout in accordance with the grout manufacturer's written instructions.
- STEP 25.** Remove all excess grout from the exposed surfaces of the aluminum extrusions before the grout sets up.
- STEP 26.** For corner wall installations, proceed directly to Step 29. For standard wall installations, select the cover plate, and place the centering bar fasteners into the holes in the cover plate's center.
- STEP 27.** Attach a centering bar to the end of each fastener in the cover plate (see Figure 13). Position the centering bars so that they are parallel to the joint and cover plate and so that the centering bar pins will clear the base member channels when the cover plate is put into position for installation.
- STEP 28.** Put the cover plate, with centering bars attached, into position over the joint. Tighten the centering bar bolts by hand until they are firmly in place (see Figure 14). Do not overtighten the centering bar bolts.

STEP 29. Select the elastomeric seal(s) (part no. CSQW2).

STEP 30. Insert each elastomeric seal tab into its corresponding channel in the base member and in the cover plate (see Figure 15 and Figure 16). Ensure that each seal's tabs are inserted completely into their channels.