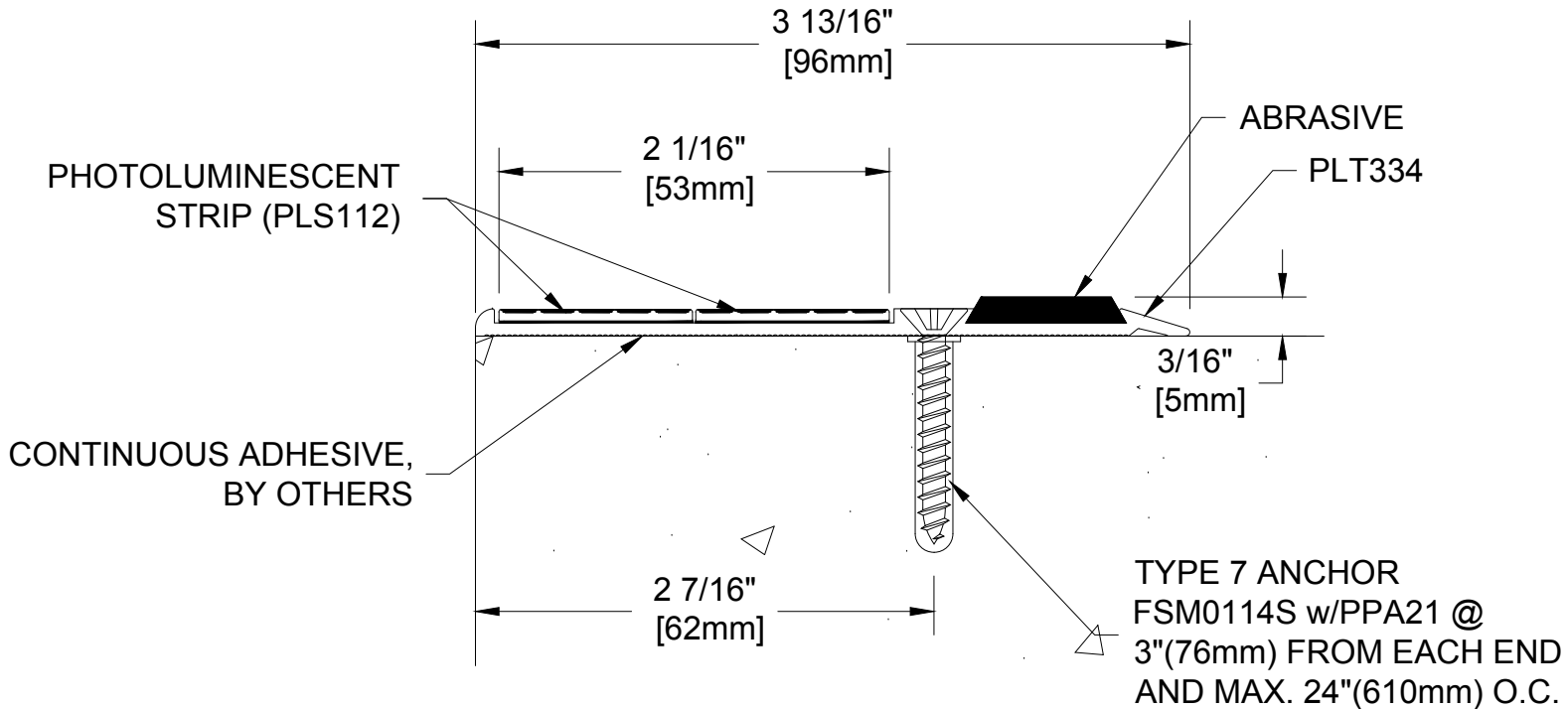


8120

ILLUMITREAD™ STAIR NOSING
MAX 10'-0" (3048mm) LENGTHS

COLOR: _____
PLEASE SELECT AN ABRASIVE
COLOR FROM CHART

LISTED IN ACCORDANCE WITH U.L. 1994
MEETS REQUIREMENTS OF IBC: 1025



Project:
Customer:
SO#
Date:
Page ___ of ___
Scale: NTS

Length	Qty.	Color

Drawn By: HRS



The information contained herein is the proprietary property of BALCO®. No portion of it may be reproduced by any means or used in any form except for the purpose for which it was furnished. All rights of design and invention are hereby reserved.

REV. - 10/30/18