

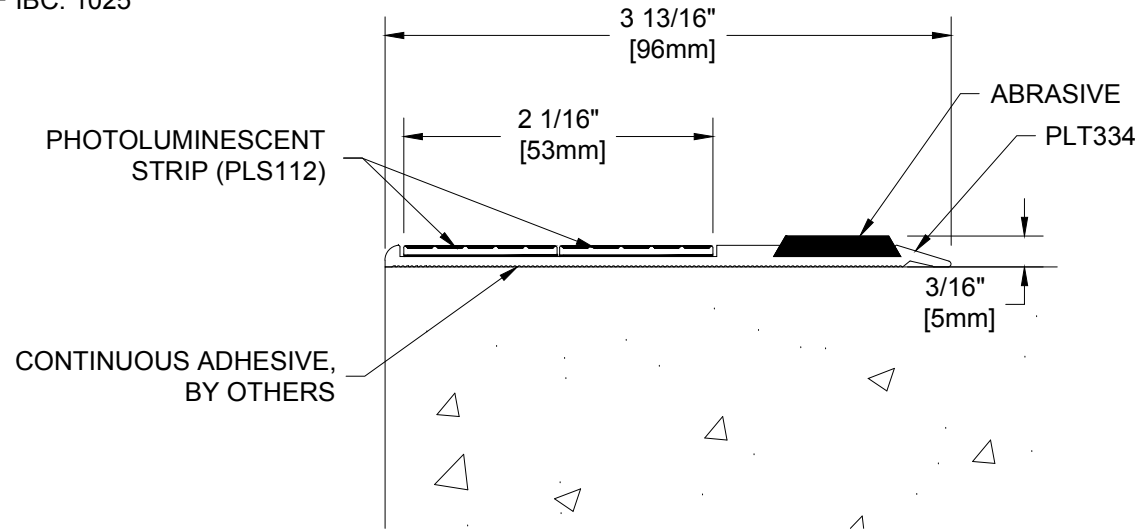
# 8120

ILLUMITREAD™ STAIR NOSING  
 MAX 10'-0" (3048mm) LENGTHS

COLOR: \_\_\_\_\_  
 PLEASE SELECT AN ABRASIVE  
 COLOR FROM CHART

OPTIONAL ADHESIVE-ONLY INSTALLATION

LISTED IN ACCORDANCE WITH U.L. 1994  
 MEETS REQUIREMENTS OF IBC: 1025



NOTE:  
 CONFIRM ADHESION TO SUBSTRATE IS  
 ADEQUATE FOR USE.

NOT FOR USE ON DIAMOND-TREAD OR  
 GRATING STAIRS.

Project:	
Customer:	
SO#	
Date:	
Page ___ of ___	Scale: NTS

Length	Qty.	Color

Drawn By: HRS



The information contained herein is the proprietary property of BALCO®. No portion of it may be reproduced by any means or used in any form except for the purpose for which it was furnished. All rights of design and invention are hereby reserved.

REV. - 08/03/18