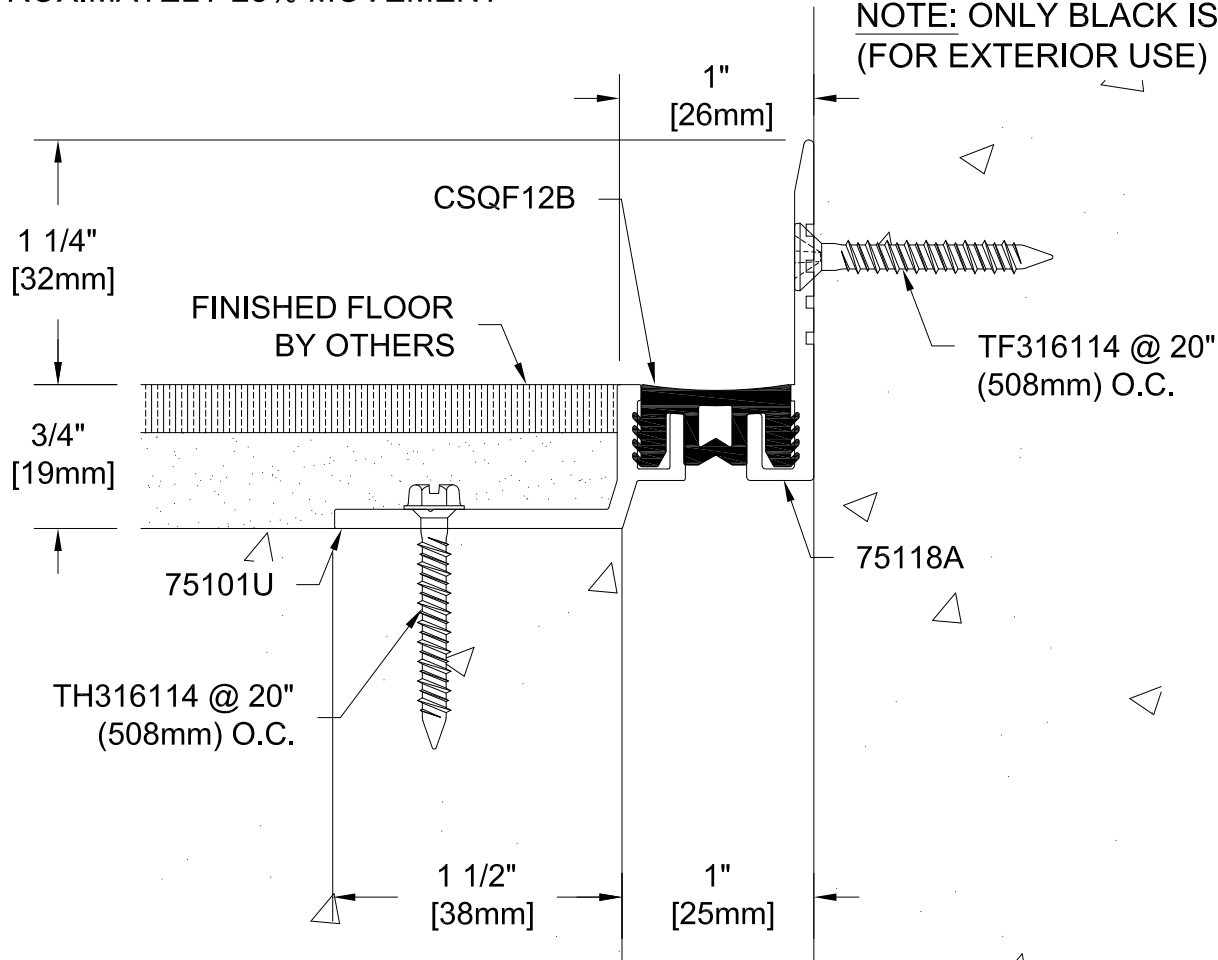


# 75FVP-1 x 3/4

INTERIOR FLOOR TO WALL SYSTEM  
 MILL FINISH ALUMINUM BASE  
 APPROXIMATELY 25% MOVEMENT

COLOR: \_\_\_\_\_  
 FILLER COLORS AVAILABLE:  
 BLACK, GRAY, TAN, OR BRONZE  
 PLEASE SPECIFY  
 NOTE: ONLY BLACK IS UV RESISTANT  
 (FOR EXTERIOR USE)



Project:	
Customer:	
SO#	
Date:	
Page ___ of ___	Scale: NTS

Length	Qty.	Color

Drawn By: RJT

The information contained herein is the proprietary property of **BALCO, INC.** No portion of it may be reproduced by any means or used in any form except for the purpose for which it was furnished. All rights of design and invention are hereby reserved.



**BALCO INC**  
 2626 S. Sheridan PO Box 17249  
 Wichita, Kansas 67217-0249 USA  
 P: +1-316-945-9328 F: +1-316-945-0789

REV. - 4/08/13