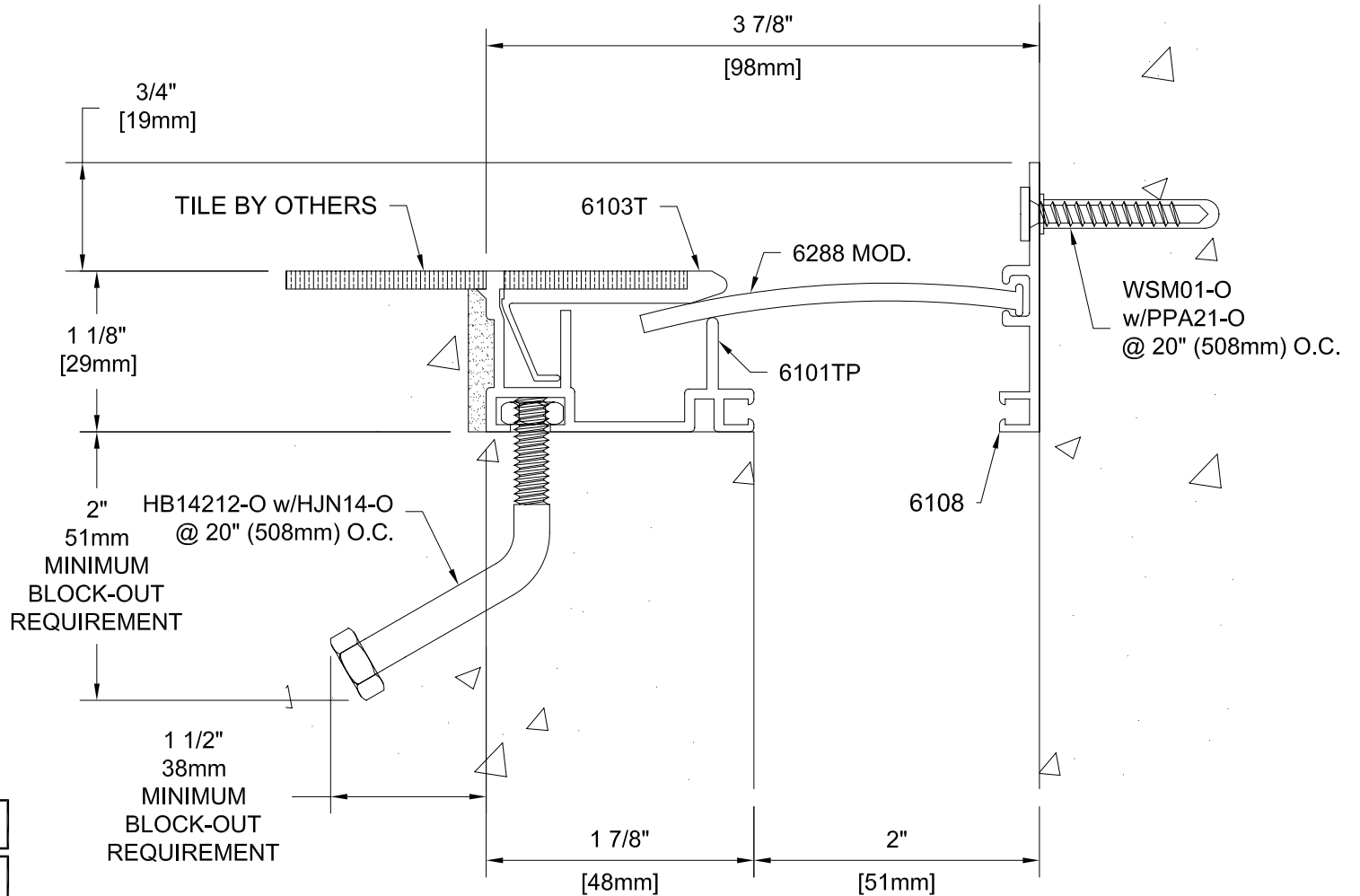


# 6FVTP-1-2

FLOOR TO WALL SYSTEM  
 1/8" (3mm) RECESS FOR TILE  
 MILL FINISH ALUMINUM COVER  
 MILL FINISH ALUMINUM BASE  
 50% MOVEMENT



Project

Customer

SO#

Date

Length	Qty.	Color

Page \_\_\_ of \_\_\_

Scale: NTS

The information contained herein is the proprietary property of **BALCO, INC.** No portion of it may be reproduced by any means or used in any form except for the purpose for which it was furnished. All rights of design and invention are hereby reserved.



2626 S. Sheridan PO Box 17249  
 Wichita, Kansas 67217-0249 USA  
 P: +1-316-945-9328 F: +1-316-945-0789

REV. - 10/20/04