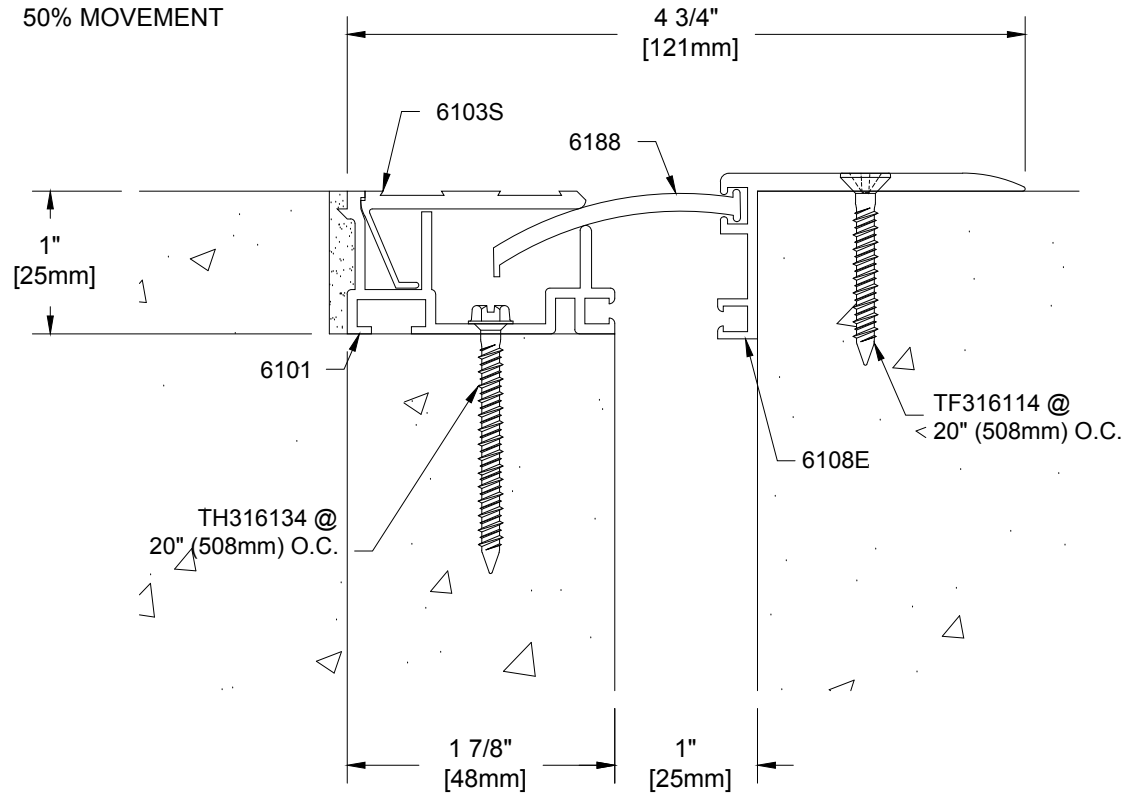


# 6FVS-1Em

NEW TO EXISTING FLOOR SYSTEM  
 MILL FINISH ALUMINUM COVER  
 MILL FINISH ALUMINUM BASE  
 50% MOVEMENT



|                 |            |
|-----------------|------------|
| Project:        |            |
| Customer:       |            |
| SO#             |            |
| Date:           |            |
| Page ___ of ___ | Scale: NTS |

| Length | Qty. | Color |
|--------|------|-------|
|        |      |       |
|        |      |       |
|        |      |       |
|        |      |       |

Drawn By: HRS



A CSW Industrials Company

The information contained herein is the proprietary property of BALCO®. No portion of it may be reproduced by any means or used in any form except for the purpose for which it was furnished. All rights of design and invention are hereby reserved.

REV. - 08/03/18