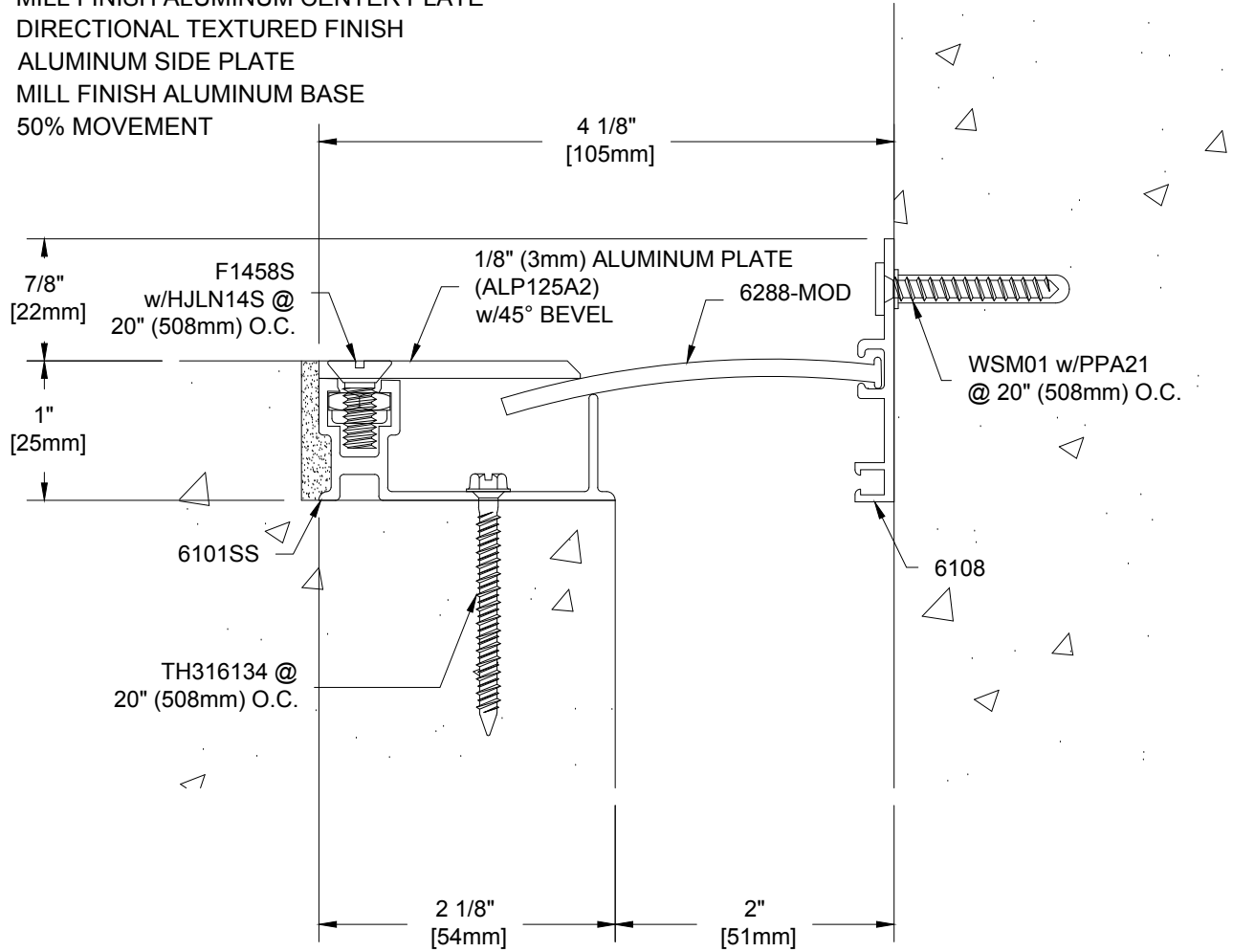


6FVP-1-2

FLOOR TO WALL SYSTEM
 MILL FINISH ALUMINUM CENTER PLATE
 DIRECTIONAL TEXTURED FINISH
 ALUMINUM SIDE PLATE
 MILL FINISH ALUMINUM BASE
 50% MOVEMENT



| | |
|-----------------|------------|
| Project: | |
| Customer: | |
| SO# | |
| Date: | |
| Page ___ of ___ | Scale: NTS |

| Length | Qty. | Color |
|--------|------|-------|
| | | |
| | | |
| | | |
| | | |

Drawn By: HRS



A CSW Industrials Company

The information contained herein is the proprietary property of BALCO®. No portion of it may be reproduced by any means or used in any form except for the purpose for which it was furnished. All rights of design and invention are hereby reserved.

REV. - 08/03/18