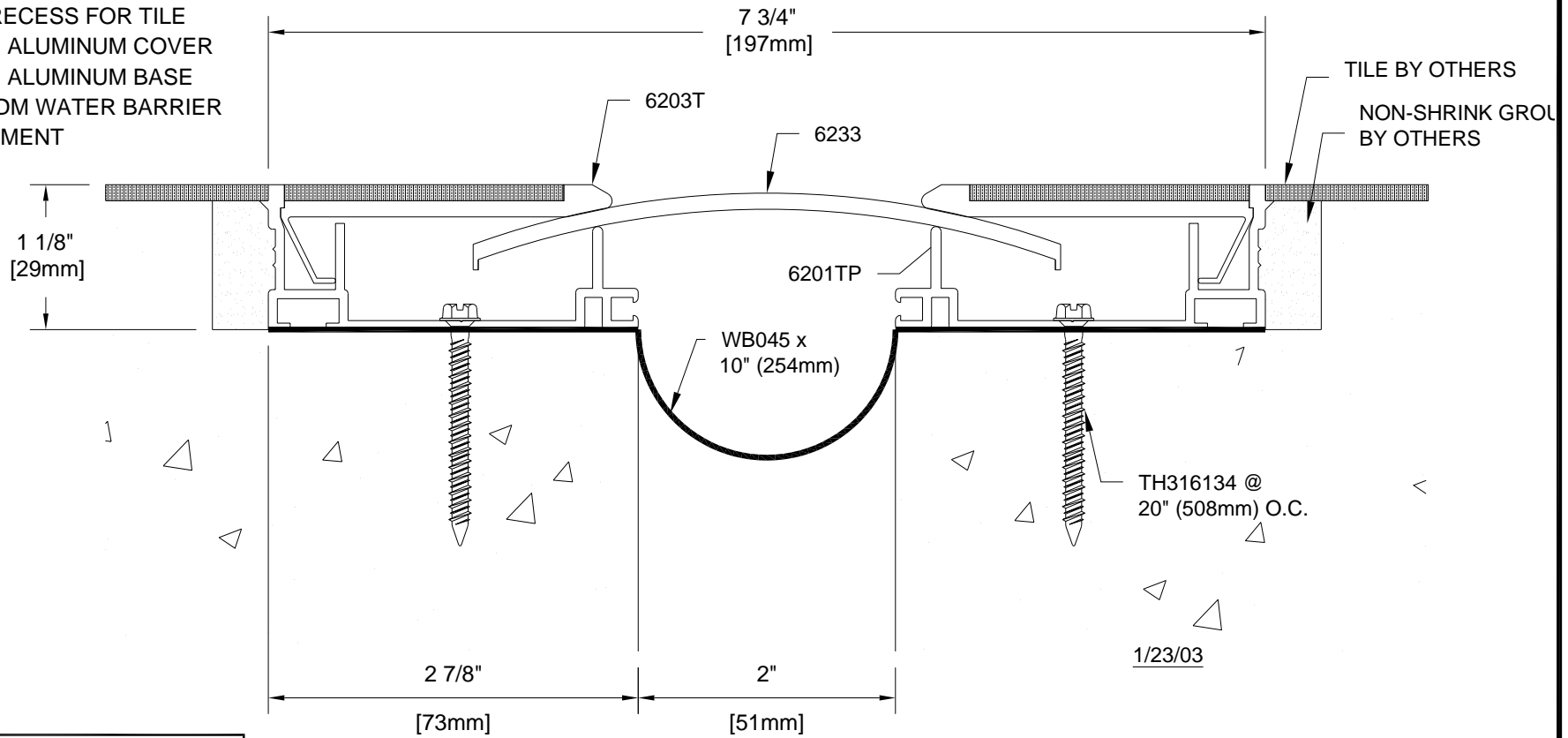


# 6FTP-2g

FLOOR TO FLOOR SYSTEM

1/8" (3mm) RECESS FOR TILE  
 MILL FINISH ALUMINUM COVER  
 MILL FINISH ALUMINUM BASE  
 w/45MIL EPDM WATER BARRIER  
 100% MOVEMENT



Project

Customer

SO#

Date

FOR OFFICE USE ONLY

Page      of     

Length	Qty.	Color

Scale: NTS



2626 S. Sheridan PO Box 17249  
 Wichita, Kansas 67217-0249 USA  
 P: +1-316-945-9328 F: +1-316-945-0789