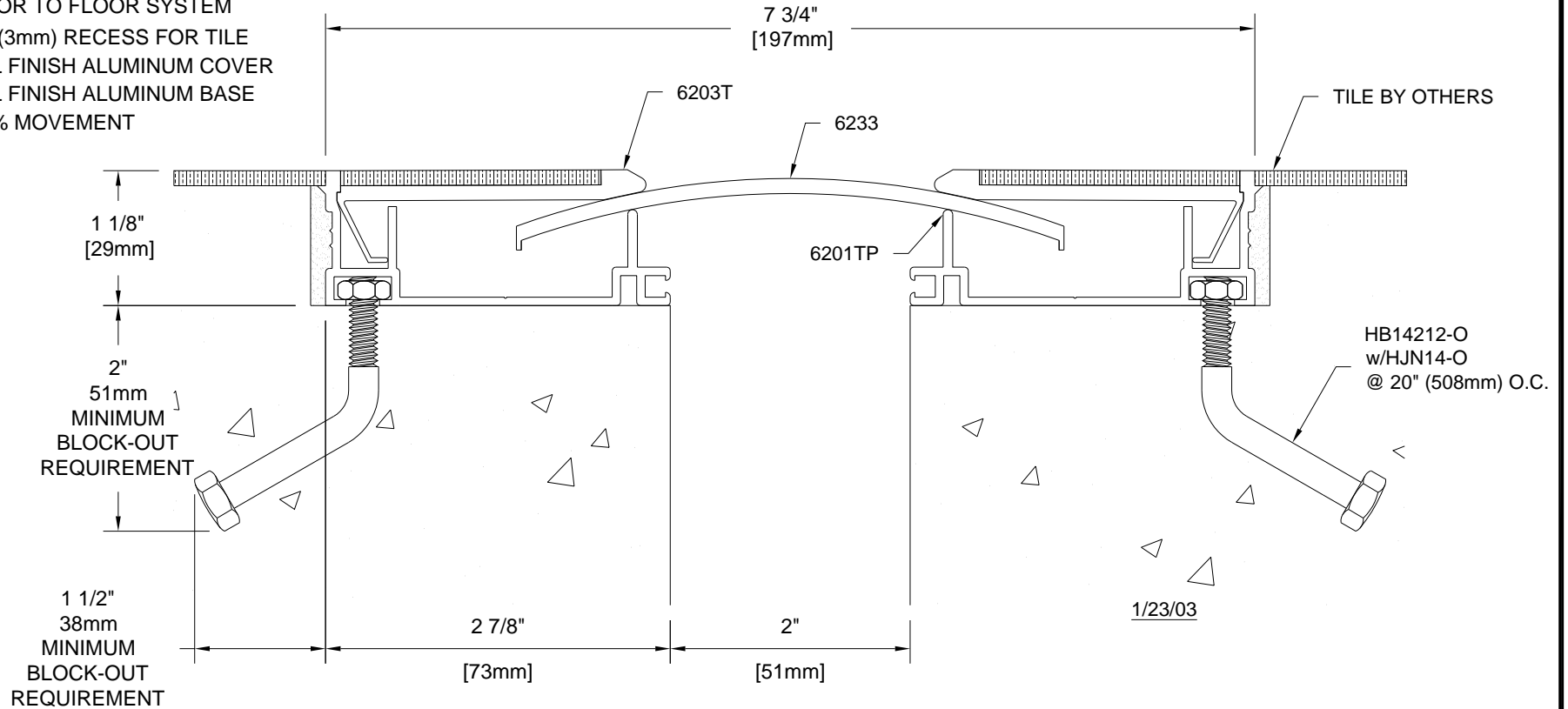


6FTP-2

FLOOR TO FLOOR SYSTEM
 1/8" (3mm) RECESS FOR TILE
 MILL FINISH ALUMINUM COVER
 MILL FINISH ALUMINUM BASE
 100% MOVEMENT



Project

Customer

SO#

Date

FOR OFFICE USE ONLY

Length	Qty.	Color

Page of

Scale: NTS



2626 S. Sheridan PO Box 17249
 Wichita, Kansas 67217-0249 USA
 P: +1-316-945-9328 F: +1-316-945-0789