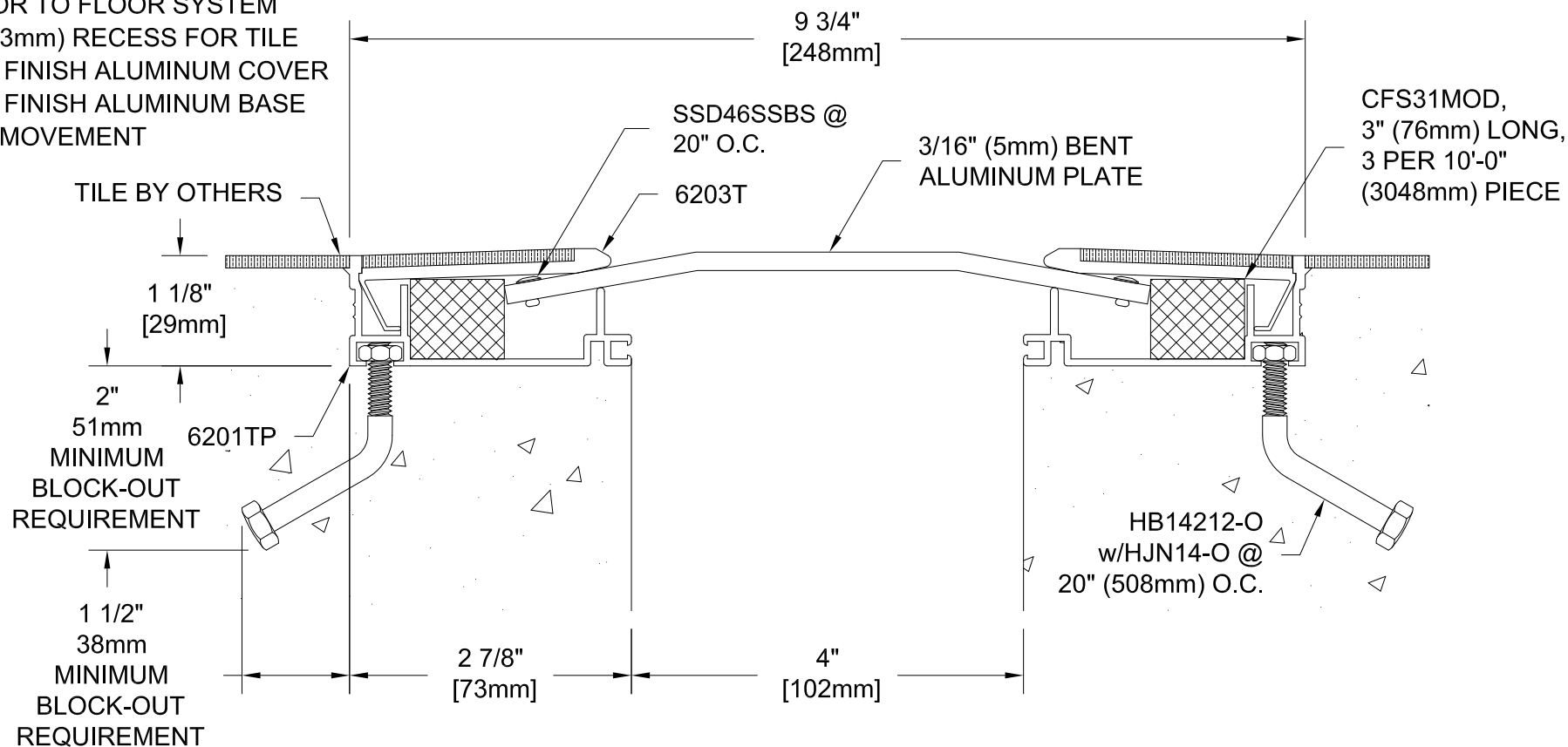


6FTP-2-4

FLOOR TO FLOOR SYSTEM
 1/8" (3mm) RECESS FOR TILE
 MILL FINISH ALUMINUM COVER
 MILL FINISH ALUMINUM BASE
 50% MOVEMENT



Project

Customer

SO#

Date

Length	Qty.	Color

Page ___ of ___

Scale: NTS

The information contained herein is the proprietary property of **BALCO, INC.** No portion of it may be reproduced by any means or used in any form except for the purpose for which it was furnished. All rights of design and invention are hereby reserved.



2626 S. Sheridan PO Box 17249
 Wichita, Kansas 67217-0249 USA
 P: +1-316-945-9328 F: +1-316-945-0789