



2626 S. Sheridan • P.O. Box 17249 • Wichita, KS 67217  
www.balcousa.com • 1-800-767-0082

## **INSTALLATION INSTRUCTIONS FOR 6000 FLOOR SERIES EXPANSION JOINT COVER SYSTEMS**

### **IMPORTANT READ THE FOLLOWING BEFORE INSTALLING**

Read the following installation instructions carefully, and be sure you understand them completely before you begin any work. Please note that these installation instructions are for standard installations and are not intended to replace any specific details or shop drawings that differ from those depicted.

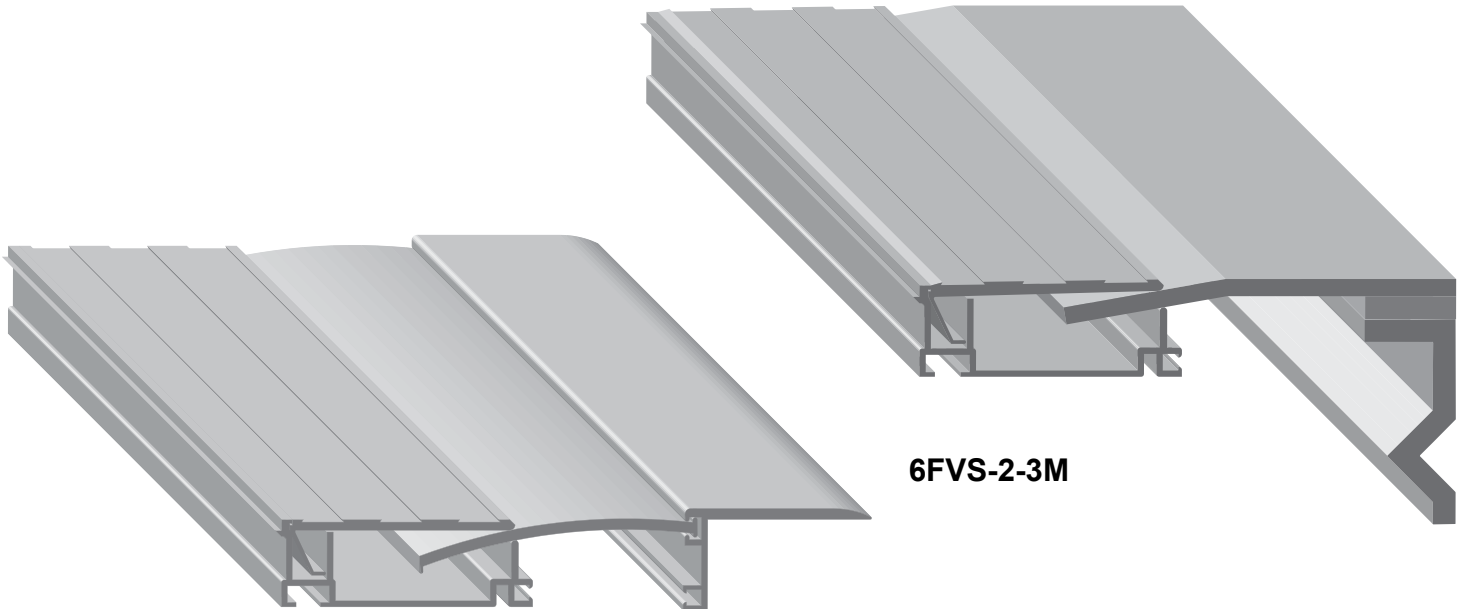
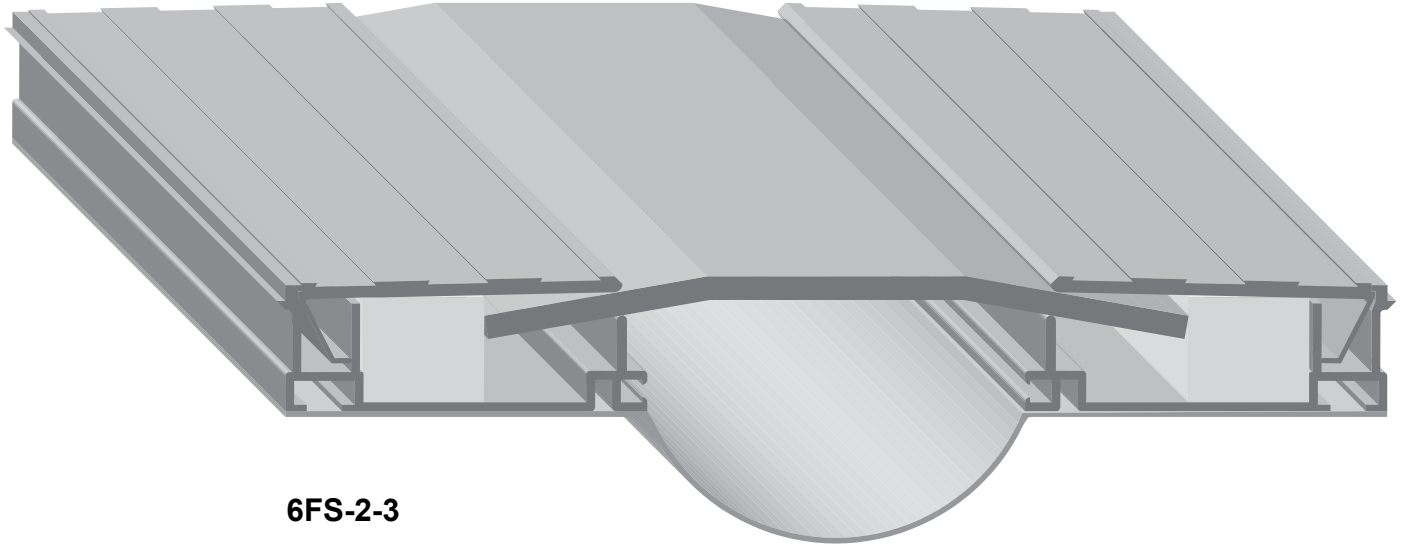




# INSTALLATION INSTRUCTIONS FOR 6000 FLOOR SERIES

These installation instructions are for use in the installation of 6000 Series Floor Expansion Joint Cover Systems (Figure 1).

Blockouts are required for this installation. They can be formed at the time of the initial concrete pour or at installation time.



**Figure 1—6000 Series Expansion Joint Covers**

## STORAGE

These expansion joint systems are shipped unassembled. Store these products in a fully supported horizontal position and in a clean, dry location.

### CAUTION

For items that are uncured, refer to packaging instructions for MSDS information and storage requirements.

## PROCEDURES

### PRE-INSTALLATION

#### PARTS

- Base Member
- Anchors
- Wall Base Member (Floor-to-Wall Systems Only)
- Cover Plate
- Center Plate
- Foam Blocks (Joint size 3" and up)

#### TOOLS REQUIRED

This is a list of tools and materials recommended for use in the installation of these expansion joint covers. Balco, Inc. does not provide these tools and materials.

- Drill Bits for Base Members
- Drill Bits for Anchors (Concrete)
- Electric Drill/ Hammer Drill
- Sockets for Anchors
- Levels
- Tape Measure
- Phillips Bits (for Wall Members)
- Rubber Mallet
- Wooden Block
- Grout

## SYSTEM INSTALLATION

### CAST-IN BASE MEMBER INSTALLATION

1. Attach cast-in anchors to the base member at the standard anchor spacing of 20" o.c. with an anchor 3" maximum from each end of the base member section.
2. Attach base member to the concrete forms (not supplied). Ensure that base members are recessed to the correct depth, level and aligned.
3. Repeat steps 1 and 2 for all base member sections on both sides of the joint.
4. Pour and finish floor in accordance with applicable requirements and standard industry practice.
5. When concrete has cured, remove concrete forms from the joint.
6. Ensure the base members and joint are free and clear of all debris.
7. Measure the joint opening and verify that you have the correct size for the joint (Figure 2).

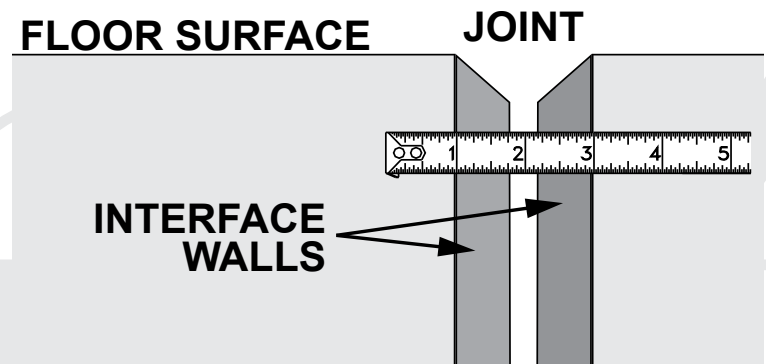


Figure 2—Measuring the Joint Size

### BLOCKOUT INSTALLATION

1. Provide blockouts, in accordance with the approved shop drawings. Blockouts may be formed at the time of the initial concrete pour or at a later time by removing material from the slab.

### NOTE

Leave concrete forms in place in the blockout until installation time to protect the area from potential damage.

2. Ensure the joint is clean and clear of all debris.
3. Measure the joint opening and verify that you have the correct size for the joint system (see Figure 2).

### NOTE

If fire barrier is provided with the system, install it at this time. Refer to the installation instructions for the fire barrier type provided.

### NOTE

If water barrier is provided with the system, install it at this time. Refer to the installation instructions for the fire barrier type provided.

## FLOOR BASE MEMBER INSTALLATION

1. If not pre-drilled, mark the locations for the anchor holes on the base member and drill the anchor holes.

### NOTE

Standard anchor spacing is 20" o.c. with an anchor hole a maximum of 3" from each end of the base member section.

2. Using the base member as a template, place the base member into the installed position and mark the locations of the anchors on the substrate.

### CAUTION

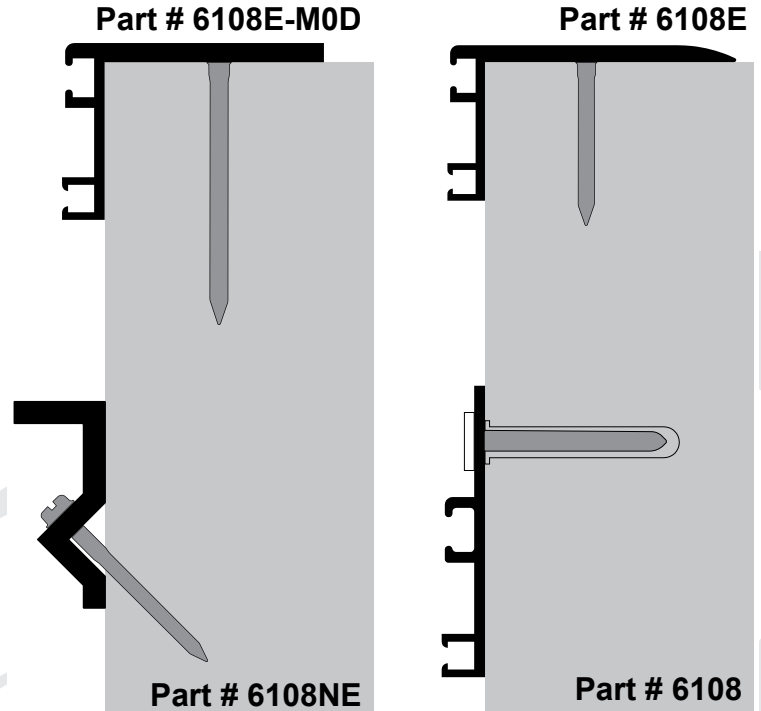
**Exterior Only**—Leave a 1/4" space between each base member to allow for thermal expansion. Caulking should be added between each member.

3. Drill the anchor holes at the marked locations, ensuring that the anchor holes are properly aligned.
4. Attach the base member to the substrate using the anchors provided.

5. Repeat steps 1 through 4 for each subsequent base member section on both sides of the joint opening.

## WALL BASE MEMBER INSTALLATION

1. If not pre-drilled, mark the locations for the anchor holes on the wall base member and drill the anchor holes (Figure 3).



**Figure 3—Wall Base Member Screw Placement**

### NOTE

Standard anchor spacing is 20" o.c. with an anchor hole a maximum of 3" from each end of the base member section.

2. **Surface Base Members Only**—Countersink the anchor holes.
3. Using the wall base member as a template, place the wall base member into the installed position and mark the locations of the anchors on the substrate.

## CAUTION

Reference the shop drawings for proper height and placement requirements.

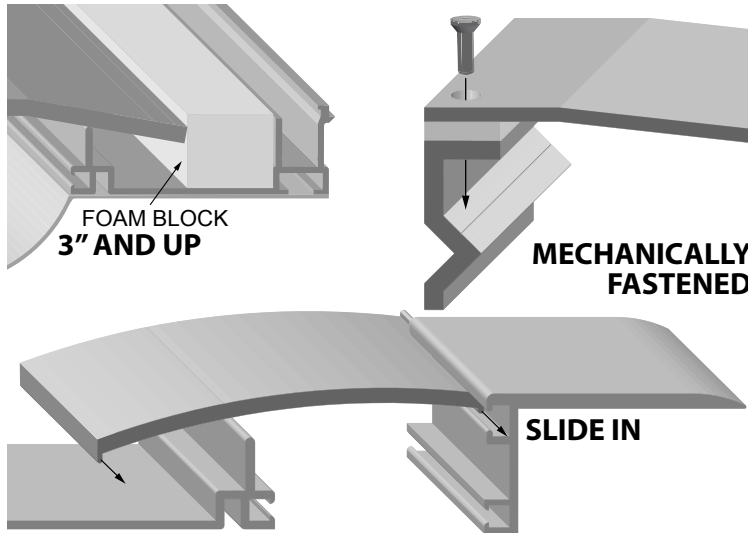
## CAUTION

**Exterior Only**—Leave a 1/4" space between each base member to allow for thermal expansion. Caulking should be added between each member.

4. Drill the anchor holes at the marked locations, ensuring that the anchor holes are properly aligned.
5. Attach the wall base member to the substrate using the anchors provided.
6. Repeat steps 1 through 5 for each subsequent wall base member section.

## JOINT ASSEMBLY INSTALLATION

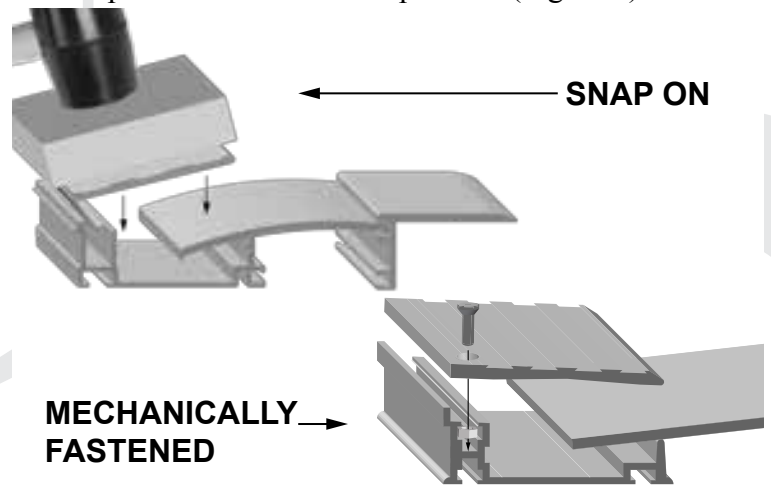
1. Place the center plate across the installed base members (Figure 4).



**Figure 4—6000 Series Center Plate Installations**

2. **Wall Base Members Only**—Insert the center plates tabbed end into the receiving track of the wall base member, allowing the free side of the center plate to rest on the other base member.

3. **Mechanically Fastened Only**—Attach the center plate to the wall base member using the provided fastener.
4. **Joint Size 3" and Up Only**—Place foam blocks on the base members next to the center plate on both sides. The blocks keep the center plate properly aligned.
5. Place the cover plate into position above the locking channel of the base member.
6. Using a wooden block and mallet, drive the cover plate into the installed position (Figure 5).



**Figure 5—6000 Series Cover Plate Installations**

7. **Mechanically Fastened Only**—Place cover plate nuts into the base members raceway. Insert the fastener into the cover plate and tighten (Figure 5).

## CAUTION

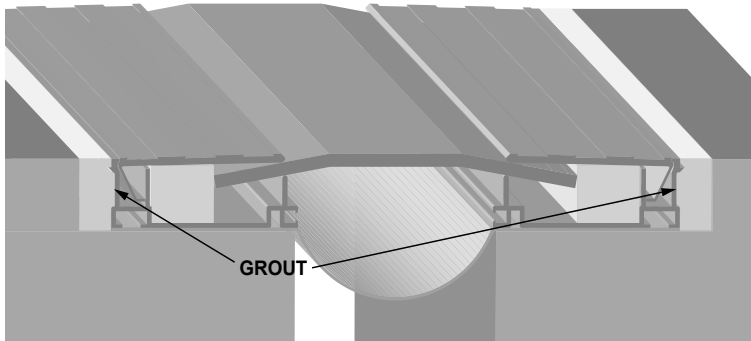
Do not over-tighten.

8. **Block-Out Installation Only**—Apply grout between the concrete and the end of the base members (Figure 6).

## NOTE

Non-shrink metallic epoxy should be used.

9. If a floor finish material is to be installed, install it at this time. Install the floor finish material in accordance with the material manufacturer's installation instructions.



**Figure 6—6000 Series Grout Location**

10. Remove any temporary protective film from the joint assembly.