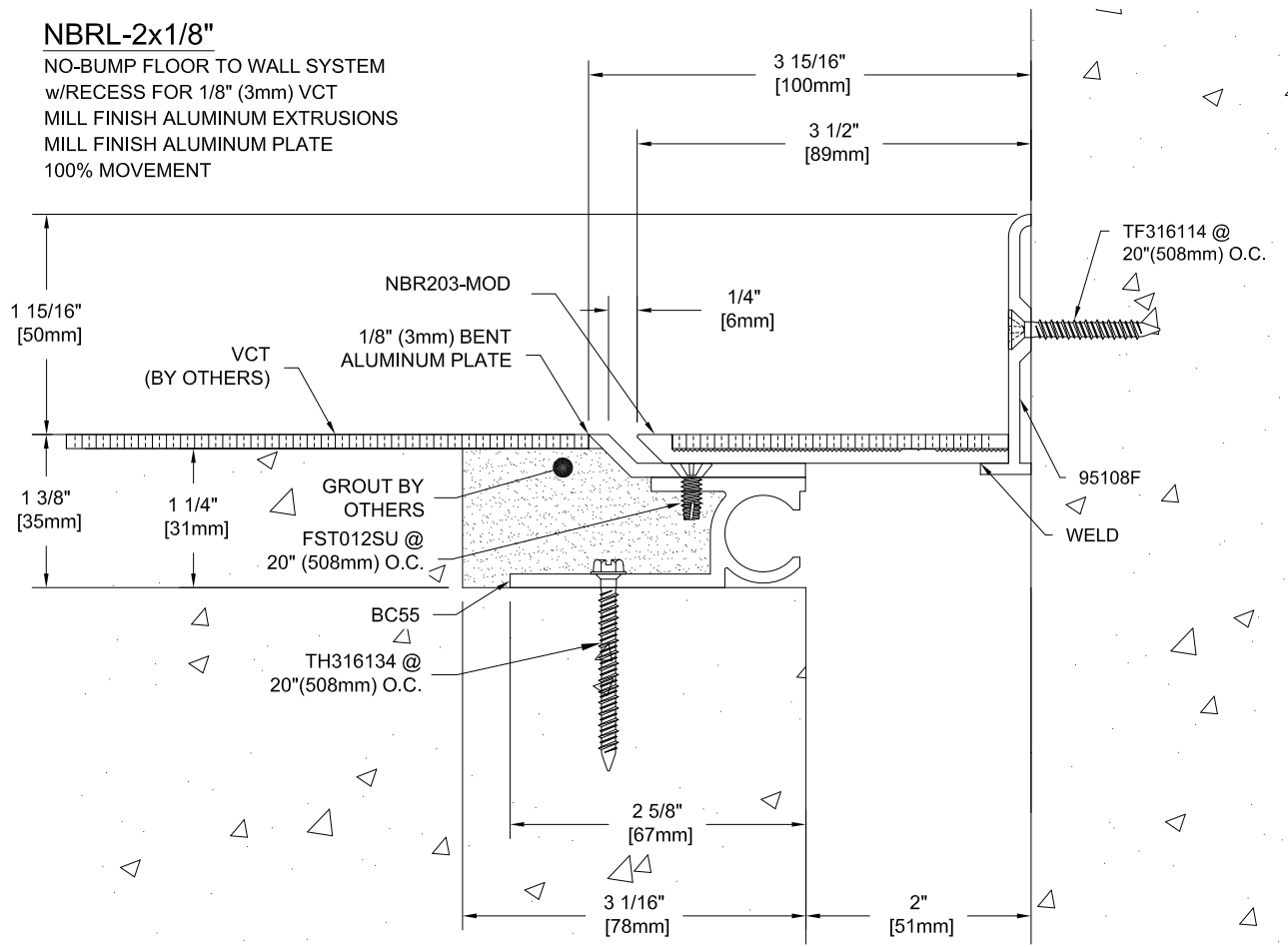


NBRL-2x1/8"

NO-BUMP FLOOR TO WALL SYSTEM
 w/RECESS FOR 1/8" (3mm) VCT
 MILL FINISH ALUMINUM EXTRUSIONS
 MILL FINISH ALUMINUM PLATE
 100% MOVEMENT

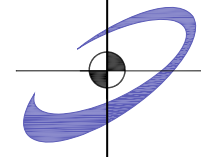


| | |
|-----------------|------------|
| Project: | |
| Customer: | |
| SO# | |
| Date: | |
| Page ___ of ___ | Scale: NTS |

| Length | Qty. | Color |
|--------|------|-------|
| | | |
| | | |
| | | |
| | | |

Drawn By: RJT

The information contained herein is the proprietary property of **BALCO, INC.** No portion of it may be reproduced by any means or used in any form except for the purpose for which it was furnished. All rights of design and invention are hereby reserved.



BALCO INC

2626 S. Sheridan PO Box 17249
 Wichita, Kansas 67217-0249 USA
 P: +1-316-945-9328 F: +1-316-945-0789

REV. - 8/08/12