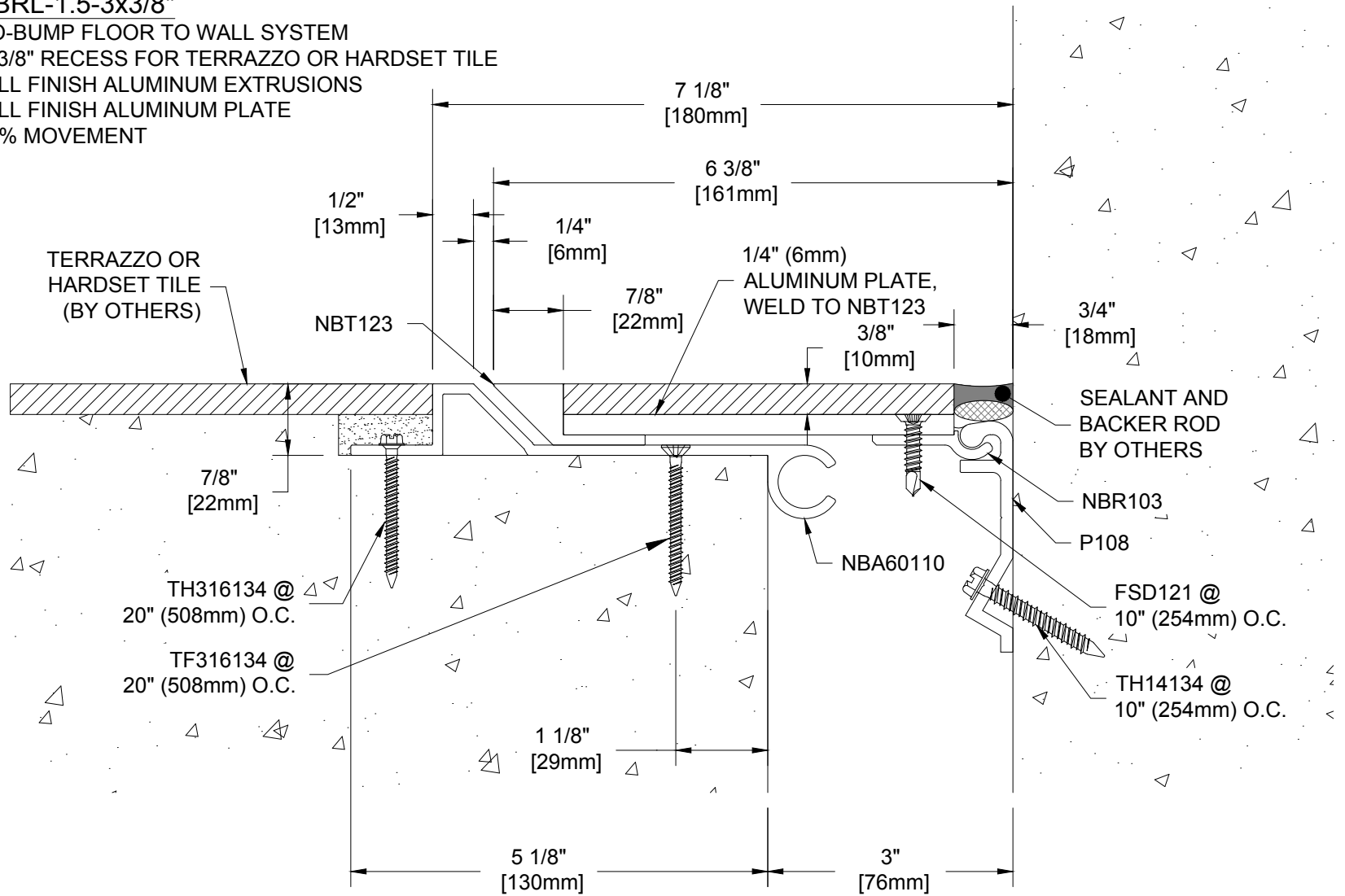


NBRL-1.5-3x3/8"

NO-BUMP FLOOR TO WALL SYSTEM
w/3/8" RECESS FOR TERRAZZO OR HARDSET TILE
MILL FINISH ALUMINUM EXTRUSIONS
MILL FINISH ALUMINUM PLATE
50% MOVEMENT



Project:

Customer:

SO#

Date:

Page ___ of ___

Scale: NTS

Length

Qty.

Color

Drawn By: HRS



A CSW Industrials Company

The information contained herein is the proprietary property of **BALCO**. No portion of it may be reproduced by any means or used in any form except for the purpose for which it was furnished. All rights of design and invention are hereby reserved.

REV. - 12/04/17