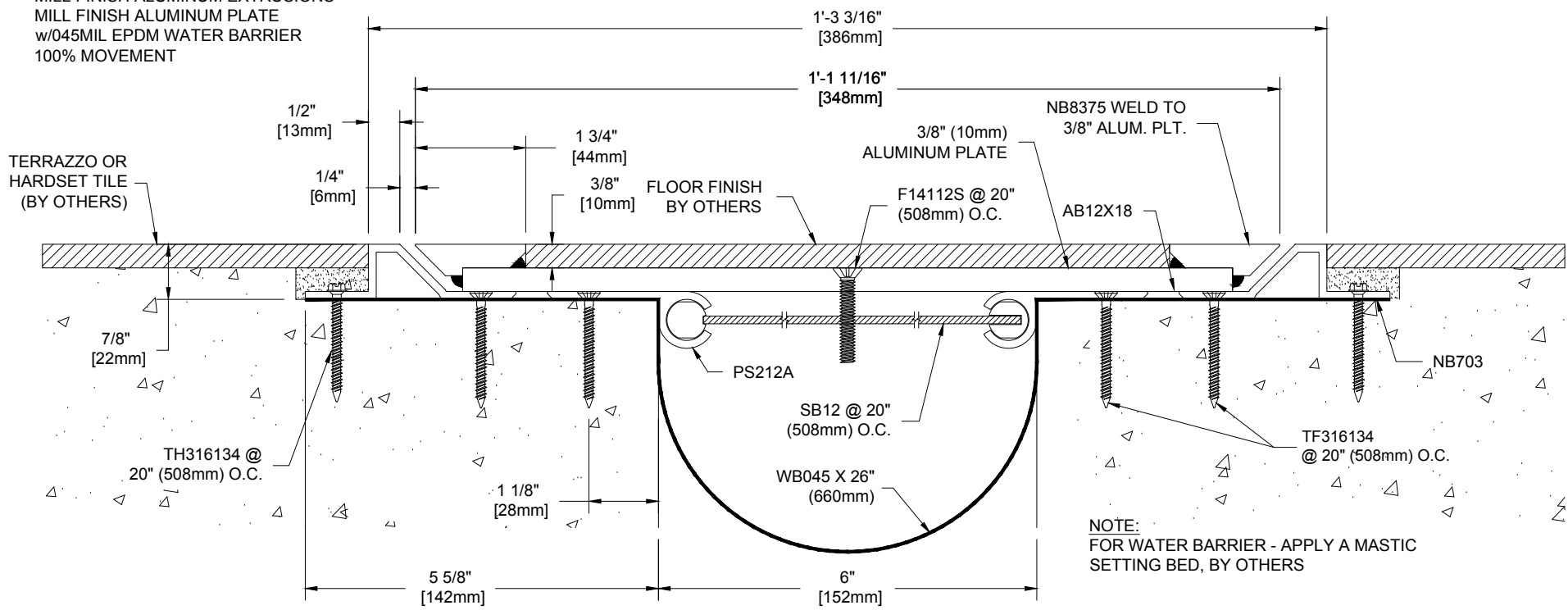


NBR-6x3/8"g
 NO-BUMP FLOOR TO FLOOR SYSTEM
 w/3/8" RECESS FOR TERRAZZO OR HARDSET TILE
 MILL FINISH ALUMINUM EXTRUSIONS
 MILL FINISH ALUMINUM PLATE
 w/045MIL EPDM WATER BARRIER
 100% MOVEMENT



NOTE:
 FOR WATER BARRIER - APPLY A MASTIC
 SETTING BED, BY OTHERS

Project:
Customer:
SO#
Date:
Page ___ of ___
Scale: NTS

Length	Qty.	Color

Drawn By: HRS



A CSW Industrials Company

The information contained herein is the proprietary property of BALCO®. No portion of it may be reproduced by any means or used in any form except for the purpose for which it was furnished. All rights of design and invention are hereby reserved.

REV. - 12/01/17