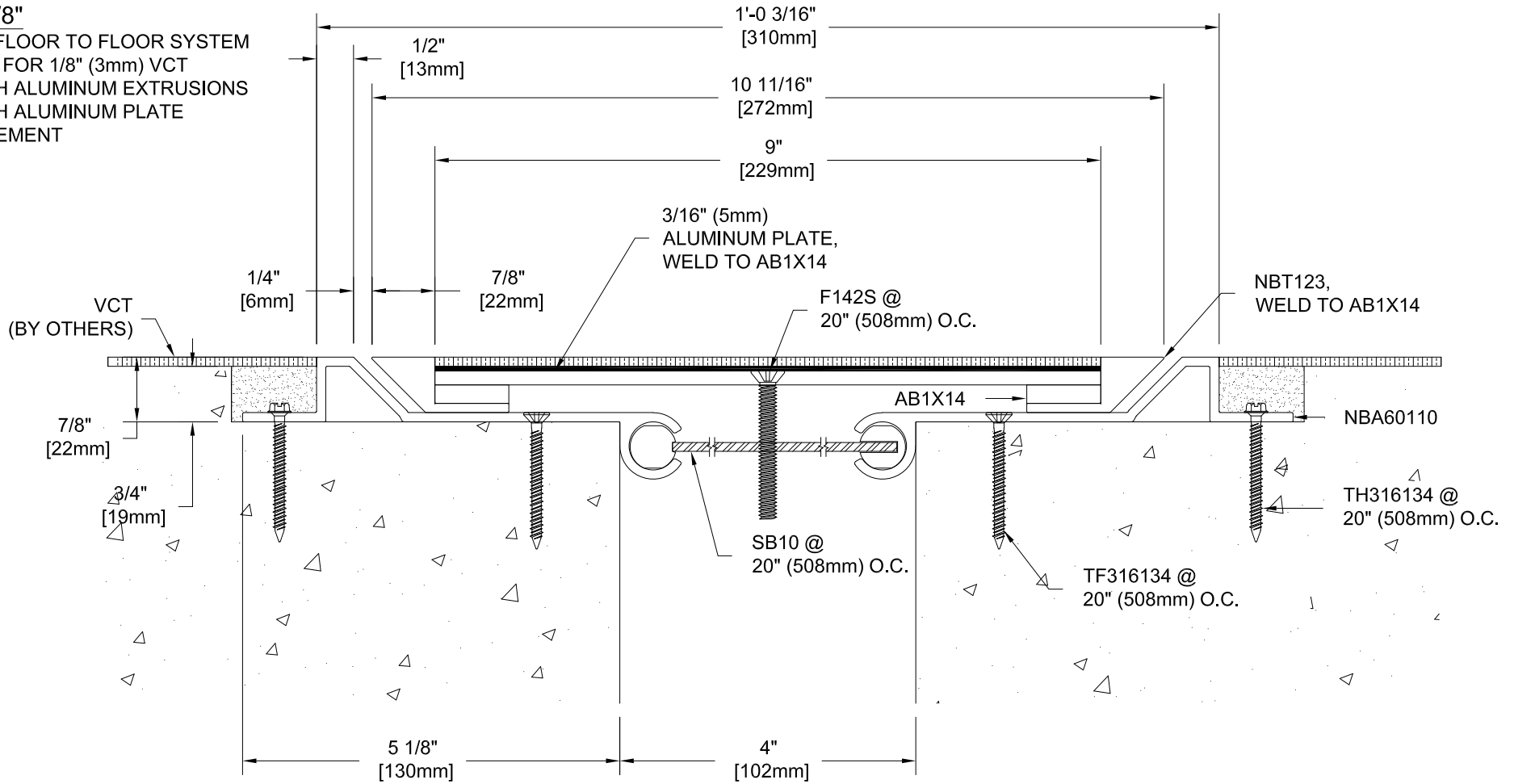


NBR-4x1/8"

NO-BUMP FLOOR TO FLOOR SYSTEM
w/RECESS FOR 1/8" (3mm) VCT
MILL FINISH ALUMINUM EXTRUSIONS
MILL FINISH ALUMINUM PLATE
100% MOVEMENT



| | |
|-----------------|------------|
| Project: | |
| Customer: | |
| SO# | |
| Date: | |
| Page ___ of ___ | Scale: NTS |

| Length | Qty. | Color |
|--------|------|-------|
| | | |
| | | |
| | | |
| | | |

Drawn By: HRS



A CSW Industrials Company

The information contained herein is the proprietary property of BALCO®. No portion of it may be reproduced by any means or used in any form except for the purpose for which it was furnished. All rights of design and invention are hereby reserved.

REV. - 04/21/17