

BALCO, INC. ILLUMITREAD™ STAIR NOSINGS

Installation & Maintenance Instructions

Model # 2140, # 4145c, # 4199, RS-405L-PL and RS-607L-PL

The following installation instructions are very important. Read them carefully, and be sure you understand them completely before you begin any work. Store this product in the horizontal position in a clean, dry location. Store this product in a protected area. Do not store stair nosings in direct sunlight.

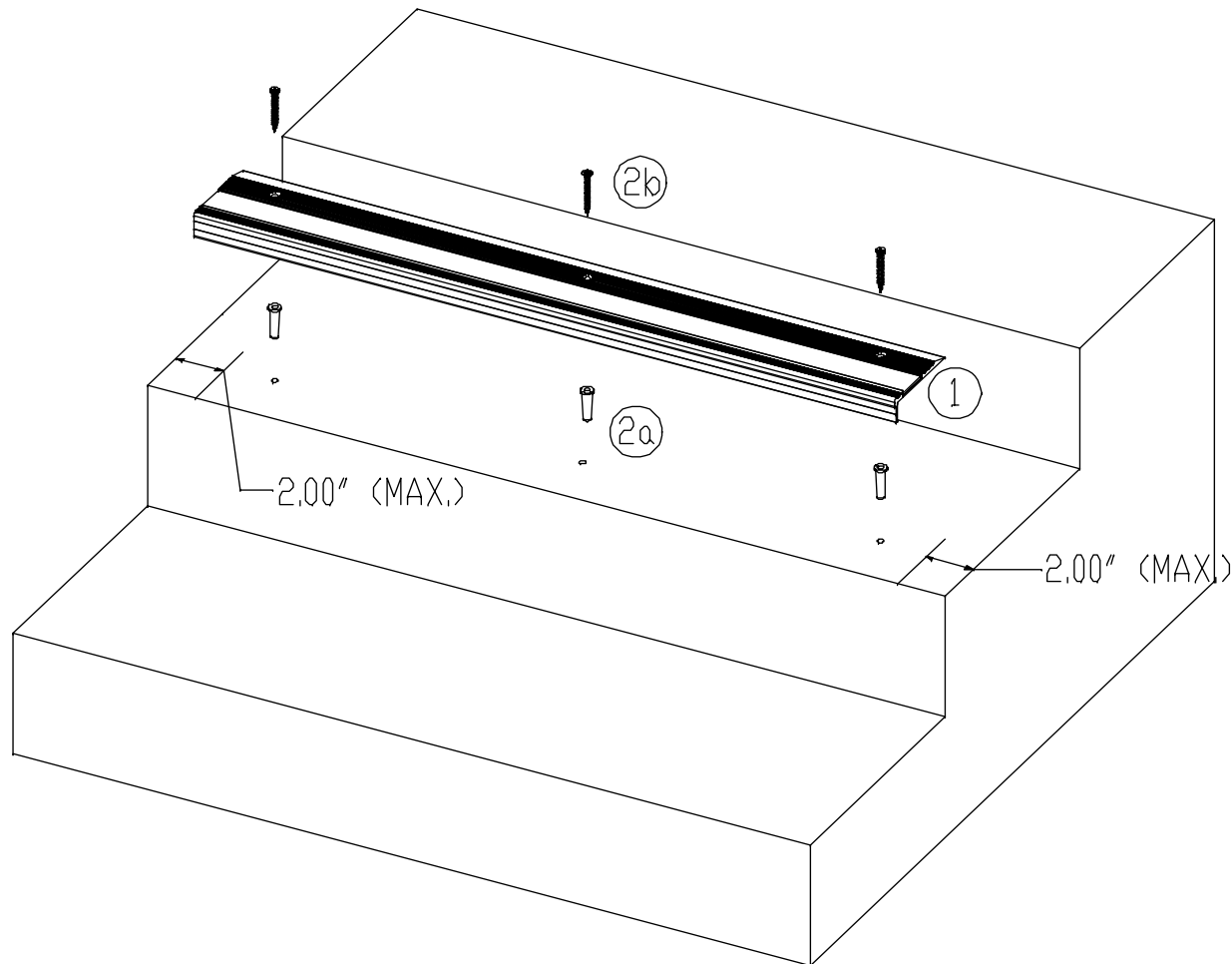


Figure 1

Tools required :

This is a list of tools and materials recommended for use in the installation of these stair nosings. These tools and materials are not provided by Balco, Inc.

- A. 1/4" Drill Bits (for concrete)
- B. Electric Drill
- C. Phillips and Slotted Screw Drivers
- D. Bostik 1100 FS (or equal)

Parts:

- 1. Stair Nosing
- 2. Anchors¹
 - 2a. Plug
 - 2b. Screw

¹ Fasteners supplied are two step expansion anchors (shown) for concrete stair tread installation.

PROCEDURES:

To ensure proper installation of the stair nosings, re-level all worn or dished stair treads using a quick setting, Portland cement based, self-leveling compound. In addition, fill any gap between the front lip or the stair nosing and the stair tread. Balco, Inc. recommends the following repair mortars: Thoroc 1060, Emaco T-415, Sika 123 or an equivalent.

STEP 1. Place the nosing into its installed position on the stair tread (Figure 1). Ensure that the nosing is level, plumb, and properly aligned. Use the factory drilled holes in the nosing to mark the locations for the anchors on the stair treads.

STEP 2. Remove the nosing from its installed position. Using a 1/4" drill bit, drill the anchor holes into the tread. Remove all dirt and debris from the stair tread. Ensure that the treads are clean.

STEP 3. Select the plugs and machine screws and insert a plug into each anchor hole (Figure 2). Ensure that the top of each plug is flush with the surface of the tread.

STEP 4. Apply a minimum 1/8" bead of construction adhesive (by others, Balco, Inc. recommends Bostik 1100 FS or equal) to the underside of the stair nosing (Figure 3). Apply the adhesive to the full length of the nosing in a nominal 6" wide (crest to crest) zigzag pattern from front to back of the nosing.

STEP 5. Place the nosing back into its installed position, aligning the anchor holes in the nosing with the anchor holes in the stair tread. Using the fasteners provided by the factory, attach the nosing to the stair tread (Figure 4 and Figure 5).

CLEANING AND MAINTENANCE:

To ensure optimum performance, Balco, Inc. recommends cleaning Illumitread Stair Nosings with a non-alkaline cleaner and a soft cloth or sponge and drying as needed. Recommend cleaning a minimum of once a year or more often, depending on use and environment.

CERTIFICATION:

The manufacturer certifies that the materials shipped are equivalent to those tested and accepted for use by the New York City Department of Buildings, as provided in Section 21-131 of the New York City Building Code.

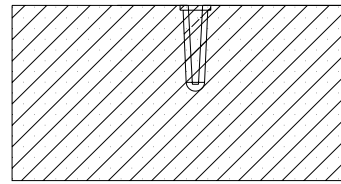


Figure 2

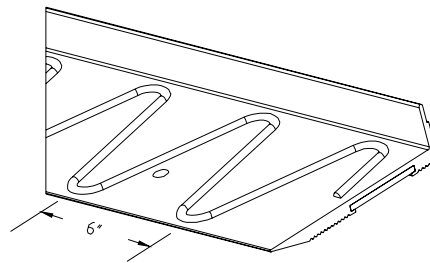


Figure 3

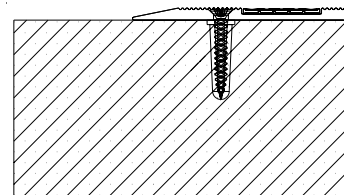


Figure 4

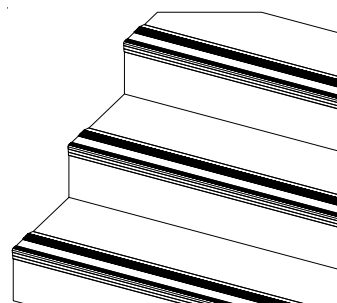


Figure 5