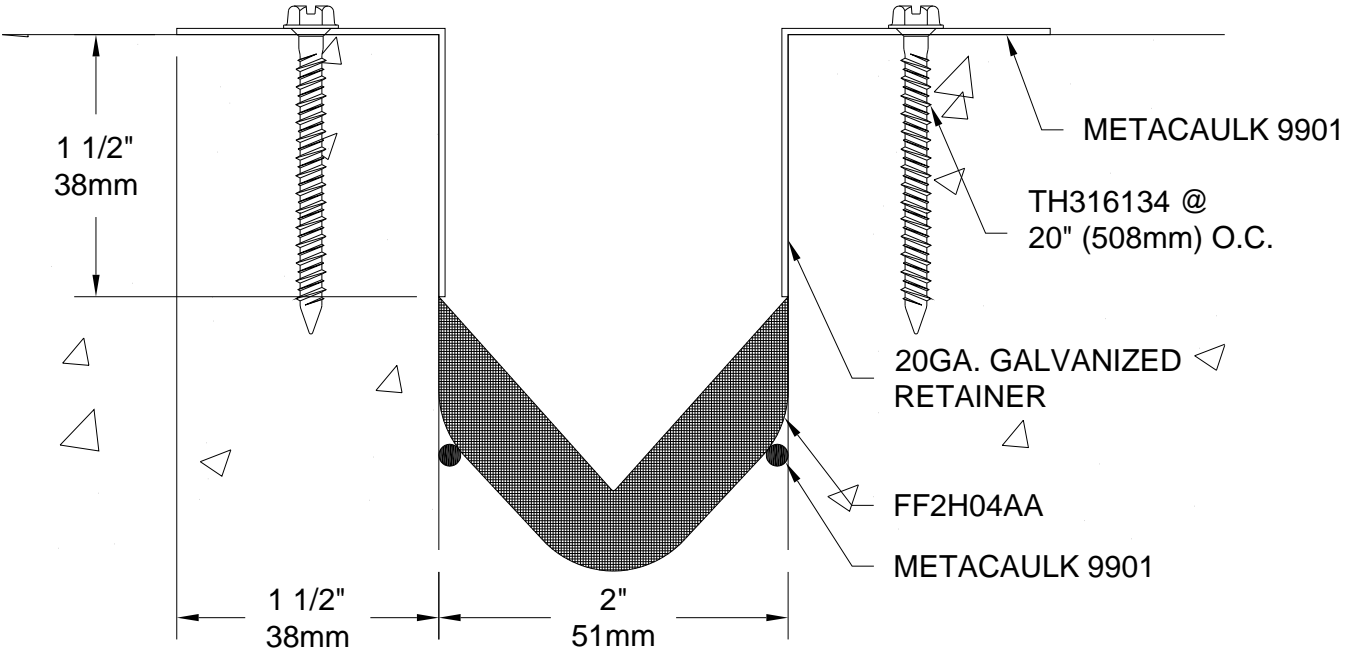


FOR OFFICE USE ONLY

**F2H04**  
**FLOOR TO FLOOR FIRE BARRIER**  
**2 HOUR RATED**  
**100% MOVEMENT**

**NOTE:**  
 THE FIRE RATING FOR THIS AND SIMILAR  
 CONDITIONS IS DETERMINED BY THE  
 PERFORMANCE CAPABILITIES OF THE  
 SURROUNDING CONSTRUCTION RATHER  
 THAN THE METAFLEX FIRE BARRIER.



Project

Customer

SO#

Date

1/24/02

Page      of     

Length	Qty.	Color

Scale: NTS



2626 S. Sheridan PO Box 17249  
 Wichita, Kansas 67217-0249 USA  
 P: +1-316-945-9328 F: +1-316-945-0789