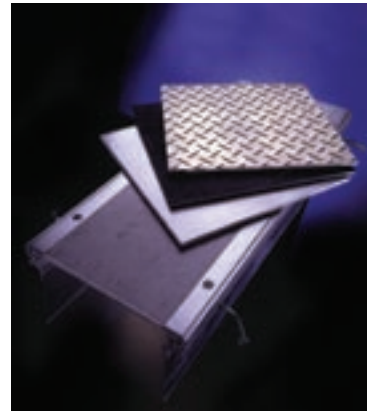
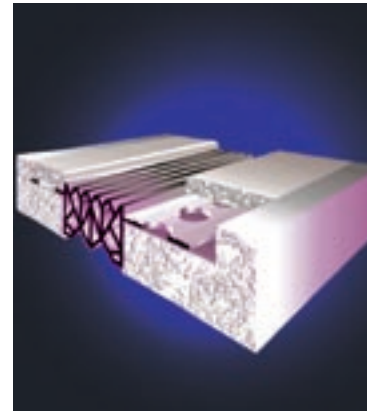


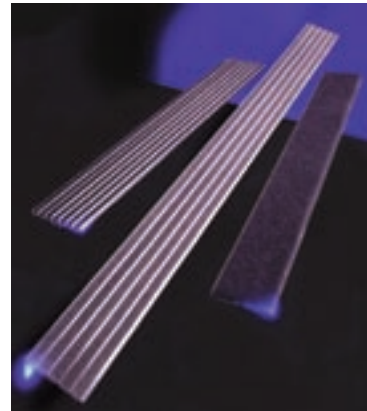
Quality products engineered and crafted to meet tomorrow's needs today... Over 50 years in the business is proof that we stand behind those words. Balco has set an industry benchmark with our combination of highly skilled engineers, manufacturing processes, and drafting designs. We customize our products to fit your projects' needs. At Balco, we're dedicated to bringing you the highest quality products at competitive prices. Let us be an integral part of your next project.



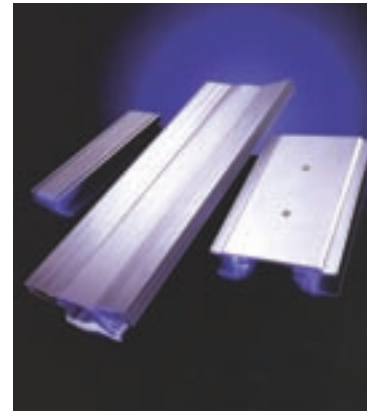
TRENCH & ACCESS COVERS



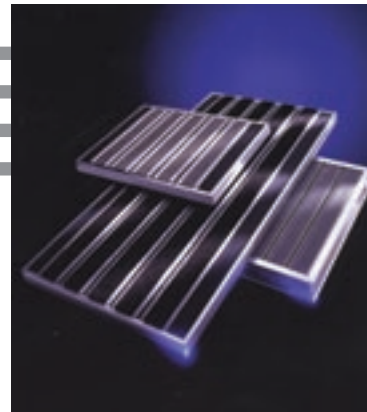
EXTERIOR EXPANSION JOINT SEALS



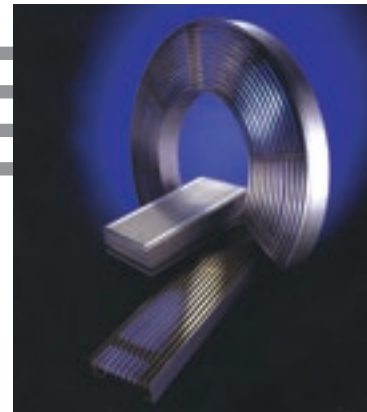
STAIR NOSINGS



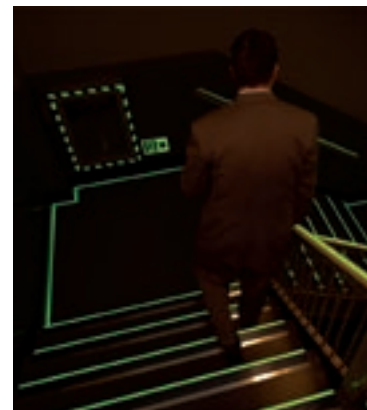
EXPANSION JOINT COVERS



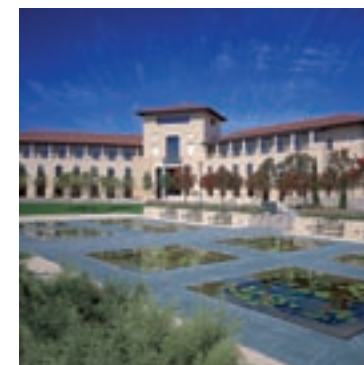
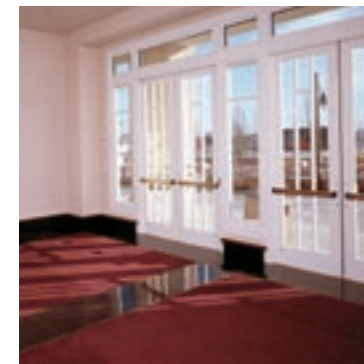
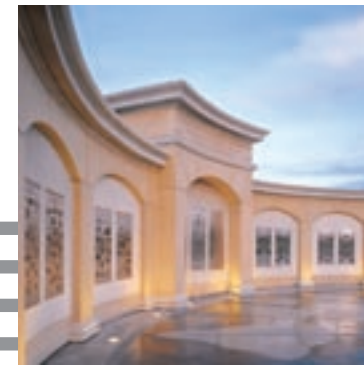
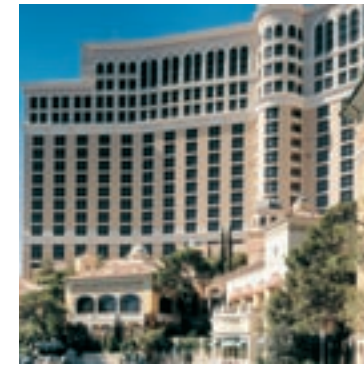
ENTRANCE MATTING SYSTEMS



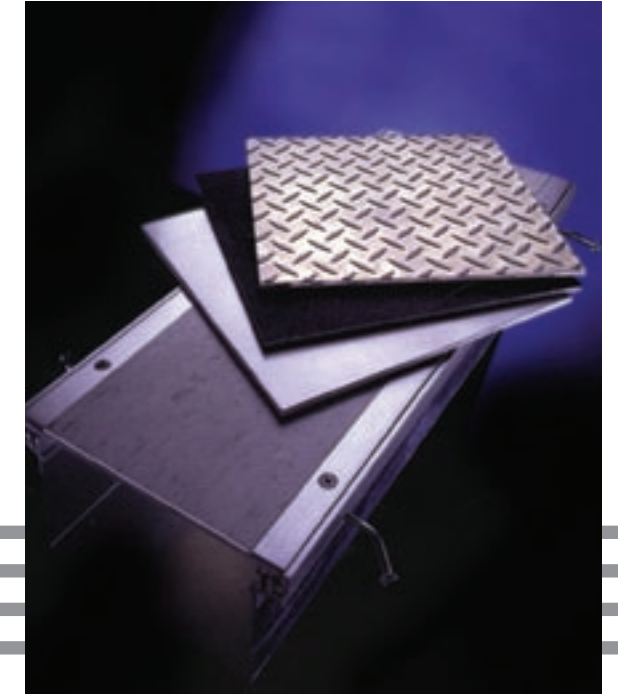
GRATES & FRAMES



PHOTOLUMINESCENT



TRENCH & ACCESS COVERS



TRENCH COVERS

ACCESS COVERS



BALCO INC

www.balcousa.com



BALCO INC

2626 S. Sheridan • Wichita, KS 67217
Ph: 316.945.9328 • Fx: 316.945.0789

1.800.767.0082
www.balcousa.com

BAL-TAC / 0808 ©
Printed in USA

ISO 9001:2000 CERTIFIED



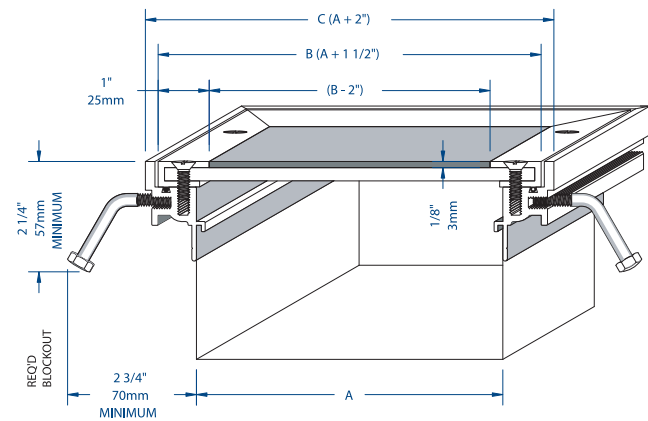
TRENCH COVERS ACCESS COVERS

Balco is the premier choice when your project requires quality trench systems. Our aluminum cover plates provide the durability you would expect from steel or cast-iron, along with benefits such as welded corners and lightweight removable covers.

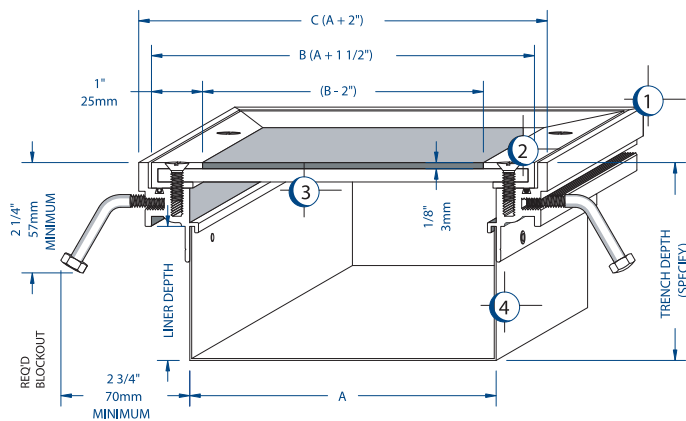
Balco's access covers offer yet another alternative to floor access. Our aluminum covers are economical and provide an attractive, modern appearance, along with features including easy access, lightweight removable covers, surface options, and block-out or cast-in installation.

Access covers are typically square and sold as units. Trench covers usually have linear profiles.

TST/ACT
Trench/Access Cover with Tile Recess



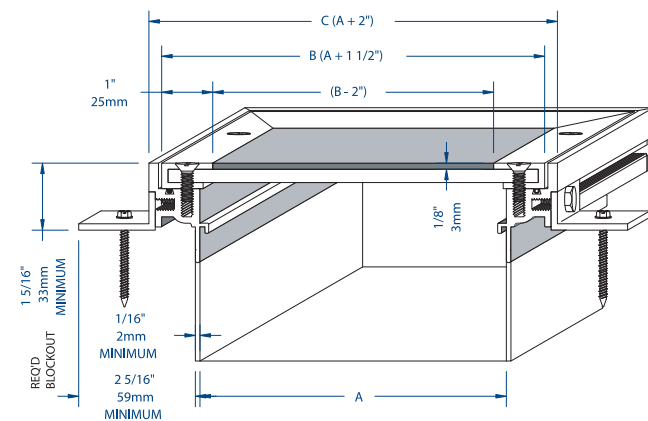
TST/ACT WITH LINER
Trench/Access Cover with Tile Recess and Liner



*Trench Liners Available: .063" [2mm] Aluminum, 20ga. Galvanized and 22ga. Stainless Steel

- 1 Aluminum Frame - Mill Finish (6063-T5)
- 2 Aluminum Tile Band - (For TST/ACT & TSA/ACA Only)
- 3 Aluminum Cover Plate
- 4 Liner - (Specify Material)

TST/ACT WITH BLOCKOUT OPTION
Trench/Access Cover with Tile Recess and Blockout Anchors



Standard Trench & Access Cover Sizes

TYPE	Dimensions			Plate Thickness
	A	B	C	
TS(x)-6-250 (152mm) (191mm) (203mm)	6"	7 1/2"	8"	1/4"
TS(x)-10-250 (254mm) (292mm) (305mm)	10"	11 1/2"	12"	1/4"
TS(x)-12-250 (305mm) (343mm) (356mm)	12"	13 1/2"	14"	1/4"
TS(x)-18-250 (457mm) (495mm) (508mm)	18"	19 1/2"	20"	1/4"
TS(x)-24-250 (610mm) (648mm) (660mm)	24"	25 1/2"	26"	1/4"
TS(x)-6-375 (152mm) (191mm) (203mm)	6"	7 1/2"	8"	3/8"
TS(x)-10-375 (254mm) (292mm) (305mm)	10"	11 1/2"	12"	3/8"
TS(x)-12-375 (305mm) (343mm) (356mm)	12"	13 1/2"	14"	3/8"
TS(x)-18-375 (457mm) (495mm) (508mm)	18"	19 1/2"	20"	3/8"
TS(x)-24-375 (610mm) (648mm) (660mm)	24"	25 1/2"	26"	3/8"
TS(x)-6-500 (152mm) (191mm) (203mm)	6"	7 1/2"	8"	1/2"
TS(x)-10-500 (254mm) (292mm) (305mm)	10"	11 1/2"	12"	1/2"
TS(x)-12-500 (305mm) (343mm) (356mm)	12"	13 1/2"	14"	1/2"
TS(x)-18-500 (457mm) (495mm) (508mm)	18"	19 1/2"	20"	1/2"
TS(x)-24-500 (610mm) (648mm) (660mm)	24"	25 1/2"	26"	1/2"

To specify type replace (x) with appropriate letter prefix. (See Plate Surface Options for Type)
Example: TST-12-375 indicates 3/8" thick plate with 1/8" tile recess for a 12" trench width.

TYPE	Dimensions			Plate Thickness
	A	B	C	
AC(x)-12-250 (305mm) (343mm) (356mm)	12"	13 1/2"	14"	1/4"
AC(x)-18-250 (457mm) (495mm) (508mm)	18"	19 1/2"	20"	1/4"
AC(x)-24-250 (610mm) (648mm) (660mm)	24"	25 1/2"	26"	1/4"
AC(x)-30-250 (762mm) (800mm) (813mm)	30"	31 1/2"	32"	1/4"
AC(x)-36-250 (914mm) (953mm) (965mm)	36"	37 1/2"	38"	1/4"
AC(x)-12-375 (305mm) (343mm) (356mm)	12"	13 1/2"	14"	3/8"
AC(x)-18-375 (457mm) (495mm) (508mm)	18"	19 1/2"	20"	3/8"
AC(x)-24-375 (610mm) (648mm) (660mm)	24"	25 1/2"	26"	3/8"
AC(x)-30-375 (762mm) (800mm) (813mm)	30"	31 1/2"	32"	3/8"
AC(x)-36-375 (914mm) (953mm) (965mm)	36"	37 1/2"	38"	3/8"
AC(x)-12-500 (305mm) (343mm) (356mm)	12"	13 1/2"	14"	1/2"
AC(x)-18-500 (457mm) (495mm) (508mm)	18"	19 1/2"	20"	1/2"
AC(x)-24-500 (610mm) (648mm) (660mm)	24"	25 1/2"	26"	1/2"
AC(x)-30-500 (762mm) (800mm) (813mm)	30"	31 1/2"	32"	1/2"
AC(x)-36-500 (914mm) (953mm) (965mm)	36"	37 1/2"	38"	1/2"

To specify type replace (x) with appropriate letter prefix. (See Plate Surface Options for Type)
Example: ACT-12-375 indicates 3/8" thick plate with 1/8" tile recess for a 12" x 12" trench opening.

PLATE SURFACE OPTIONS

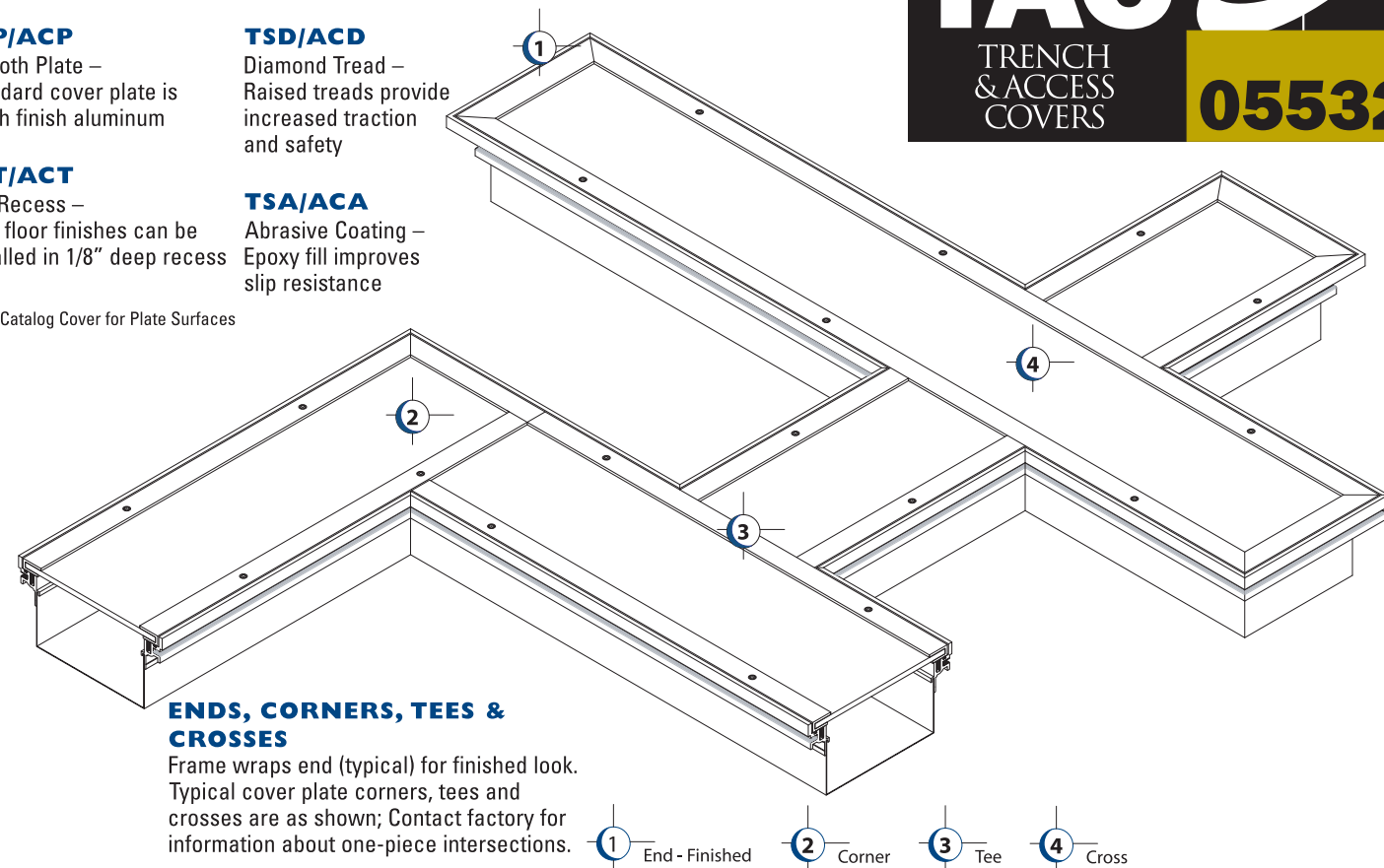
TSP/ACP
Smooth Plate – Standard cover plate is brush finish aluminum

TST/ACT
Tile Recess – Thin floor finishes can be installed in 1/8" deep recess

TSD/ACD
Diamond Tread – Raised treads provide increased traction and safety

TSA/ACA
Abrasive Coating – Epoxy fill improves slip resistance

*See Catalog Cover for Plate Surfaces



ENDS, CORNERS, TEES & CROSSES

Frame wraps end (typical) for finished look. Typical cover plate corners, tees and crosses are as shown; Contact factory for information about one-piece intersections.

- 1 End - Finished
- 2 Corner
- 3 Tee
- 4 Cross

ACCESS COVER LOAD TABLE

A	U/C	Plate		
		1/4"	3/8"	1/2"
12 (305mm)	U	3116	9134	16238
18 (457mm)	C	778	1751	3113
18 (457mm)	U	615	3116	7217
24 (610mm)	C	485	1495	2657
24 (610mm)	U	1015	986	3116
30 (762mm)	C	602	1354	2407
30 (762mm)	U	329	404	1276
36 (914mm)	C	561	884	2243
36 (914mm)	U	206	389	615
	C	531	614	1941

TRENCH COVER LOAD TABLE

A	U/C	Plate		
		1/4"	3/8"	1/2"
6 (152mm)	U	6222	14000	24889
10 (254mm)	C	878	1976	3513
10 (254mm)	U	2019	5040	8960
12 (305mm)	C	706	1588	2823
12 (305mm)	U	974	3500	6222
18 (457mm)	C	660	1484	2638
18 (457mm)	U	691	974	2765
24 (610mm)	C	576	1296	2303
24 (610mm)	U	389	308	974
	C	528	946	2113

- NOTES:
1. A = Trench Width
 2. U = Maximum allowable uniform load in pounds per square foot
 3. C = Maximum allowable concentrated load in pounds-force
 4. Concentrated and uniform loads shall not be applied simultaneously
 5. Loads are limited by allowable stress and allowable deflection
 6. Allowable stress is based on a safety factor of 1.5 against yielding
 7. Allowable deflection is equal to one-half of the plate thickness
 8. Concentrated loads are applied to a 2" diameter circle, centered on the plate
 9. Contact Balco Inc. with questions concerning any special loading conditions

{DOWNLOAD CADs and pdfs}
www.balcousa.com

