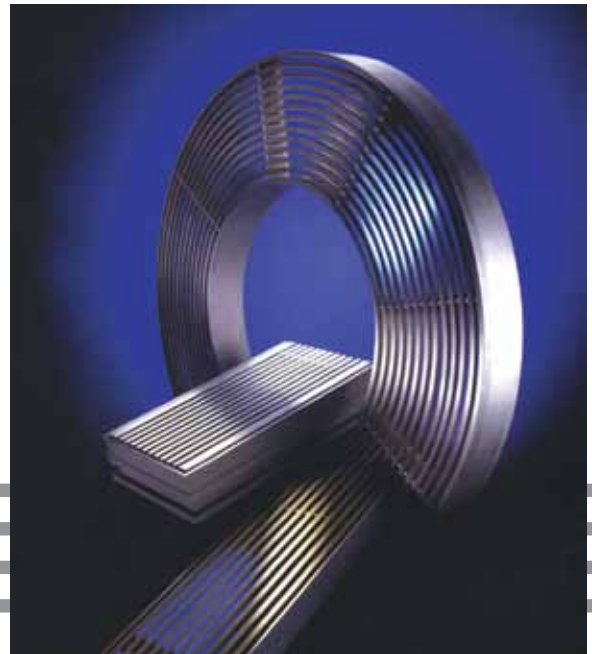




GRATES & FRAMES



TRENCH GRATING

BRONZE TRENCH GRATING

RADIUS TRENCH GRATING

SWIMMING POOL DECK DRAINS



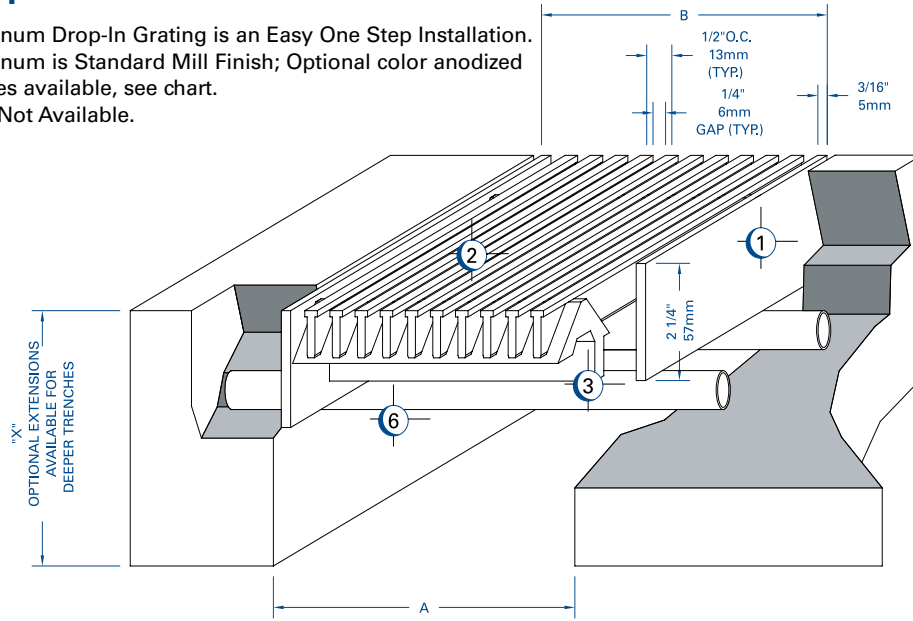
BALCO INC

www.balcousa.com



MGT

Aluminum Drop-In Grating is an Easy One Step Installation. Aluminum is Standard Mill Finish; Optional color anodized finishes available, see chart. Liner Not Available.



Trench Grating
Bronze Trench Grating
Radius Trench Grating
Swimming Pool Deck Drains

Balco Metagrate enhances the appearance of any area where an attractive drainage system is desired, such as fountains, plazas, or planters. Maximum tread spacing of 1/4" (6mm) ensures pedestrian safety and concealed locking mechanisms keep grates secure.

Metagrate swimming pool grating features the narrow sightline you want when designing a pool area, and is available in aluminum and bronze.

In addition, factory fabricated trench liners reduce the high cost of concrete forming for trenches and make cleaning easier.

Balco can also radius customized sections. In non-traditional applications, grating has been designed to create an amazing illusion of the ocean floor or fabricated as substitute grille work in park benches. Look to Balco to turn your innovative design possibilities into reality.

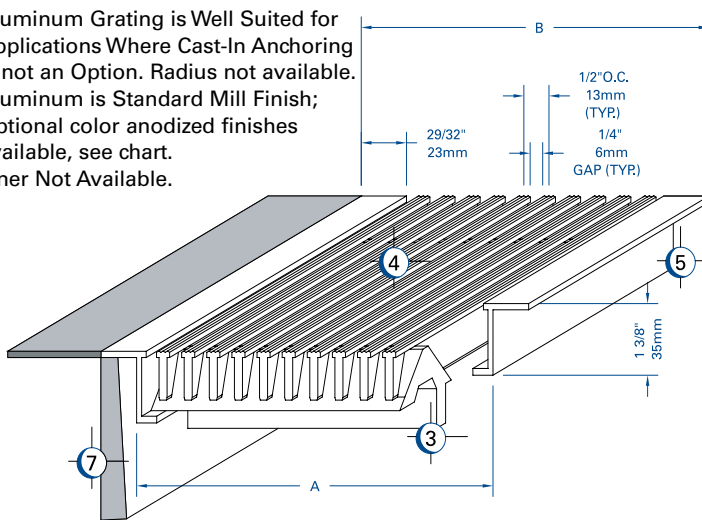
- ① Aluminum Bar Frame
- ② Extruded Aluminum Tread (6063-T5); Smooth is Shown - Serrated and Abrasive Tread Textures also Available.
- ③ Extruded Aluminum Support Bar @ 10" (254mm) O.C.
- ④ Extruded Aluminum Tread (6063-T5); Serrated is Shown - Smooth and Abrasive Tread Textures also Available.
- ⑤ Extruded Aluminum Frame (6063-T5)
- ⑥ Support Rod, Bar or Pipe, By Others - Spacing Dependent Upon Load Requirements (A maximum spacing of 18" [457mm] O.C. is recommended)
- ⑦ Existing Trench Drain or Support, By Others

MGT Series

TYPE	Dimensions	
	A	B
MGT-4-(S, P or A)	4" (102mm)	3 11/16" (94mm)
MGT-6-(S, P or A)	6" (152mm)	5 11/16" (144mm)
MGT-8-(S, P or A)	8" (203mm)	7 11/16" (195mm)
MGT-10-(S, P or A)	10" (254mm)	9 11/16" (246mm)
MGT-12-(S, P or A)	12" (305mm)	11 11/16" (297mm)

MR

Aluminum Grating is Well Suited for Applications Where Cast-In Anchoring is not an Option. Radius not available. Aluminum is Standard Mill Finish; Optional color anodized finishes available, see chart. Liner Not Available.



MR Series

TYPE	Dimensions	
	A	B
MR-4-(S, P or A)	3 1/2" (89mm)	4 15/16" (125mm)
MR-6-(S, P or A)	5 1/2" (140mm)	6 15/16" (178mm)
MR-8-(S, P or A)	7 1/2" (191mm)	8 15/16" (227mm)
MR-10-(S, P or A)	9 1/2" (241mm)	10 15/16" (278mm)
MR-12-(S, P or A)	11 1/2" (292mm)	12 15/16" (329mm)

For Wider Applications Contact Factory

Specify S for Serrated Tread Texture
Specify P for Plain (Smooth) Tread Texture
Specify A for Abrasive Tread Texture

{DOWNLOAD CADs and pdfs}
www.balcousa.com

MGN

The MGN's Perpendicular Tread Bars Provide an Alternative Look to Balco's Linear Grating. (Radius Not Available)

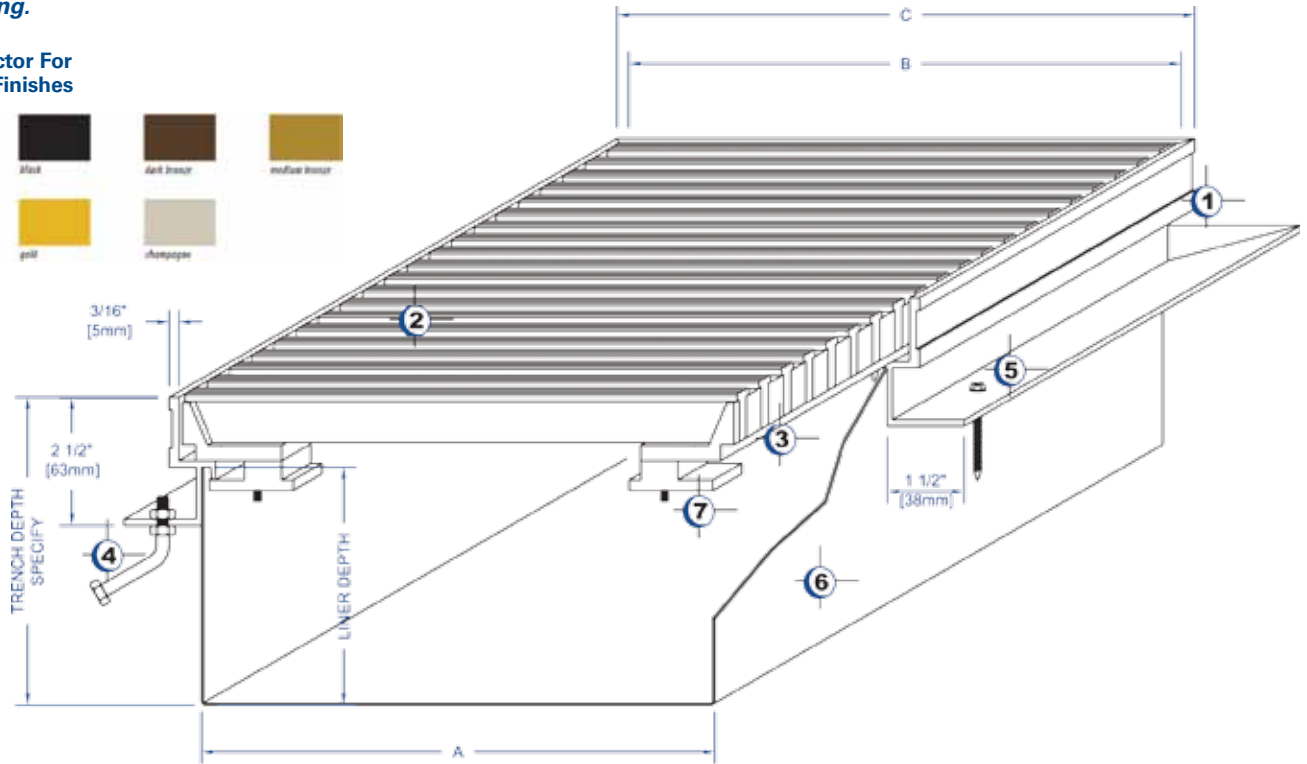
Aluminum is Standard Mill Finish; Optional color anodized finishes available, see chart.

Cast-In Anchors are Standard; Block-Out Anchors Optional Available With or Without Liner - Specify 20ga. Galvanized, .063" [2mm] Aluminum or 22ga. Stainless Steel Liner

Tread Sections Limited to Approximately 3'-0" (914mm) Each; Frame Provided in 10'-0" (3048mm) Maximum Lengths.

Theft-Resistant Locking Devices are Provided as a Standard Feature with this Grating.

Color Selector For Anodized Finishes



- ① Extruded Aluminum Frame
- ② Extruded Aluminum Tread @ 1/2" (13mm) O.C. Serrated is Shown - Smooth and Abrasive Tread Textures also Available.
- ③ Extruded Aluminum Support Bar Each Side
- ④ Cast-In Anchor - Standard
- ⑤ Block-Out Anchor - Optional
- ⑥ Liner (Specify Material) - Optional
- ⑦ Theft-Resistant Locking Device (Loc-Down) - Standard

MGN Series

TYPE	Dimensions		
	A	B	C
MGN-4-(S, P or A)	4" (102mm)	4 3/4" (121mm)	5 1/4" (133mm)
MGN-6-(S, P or A)	6" (152mm)	6 3/4" (171mm)	7 1/4" (184mm)
MGN-8-(S, P or A)	8" (203mm)	8 3/4" (222mm)	9 1/4" (235mm)
MGN-10-(S, P or A)	10" (254mm)	10 3/4" (273mm)	11 1/4" (286mm)
MGN-12-(S, P or A)	12" (305mm)	12 3/4" (324mm)	13 1/4" (337mm)

For Wider Applications Contact Factory

Specify S for Serrated Tread Texture

Specify P for Plain (Smooth) Tread Texture

Specify A for Abrasive Tread Texture



MLG

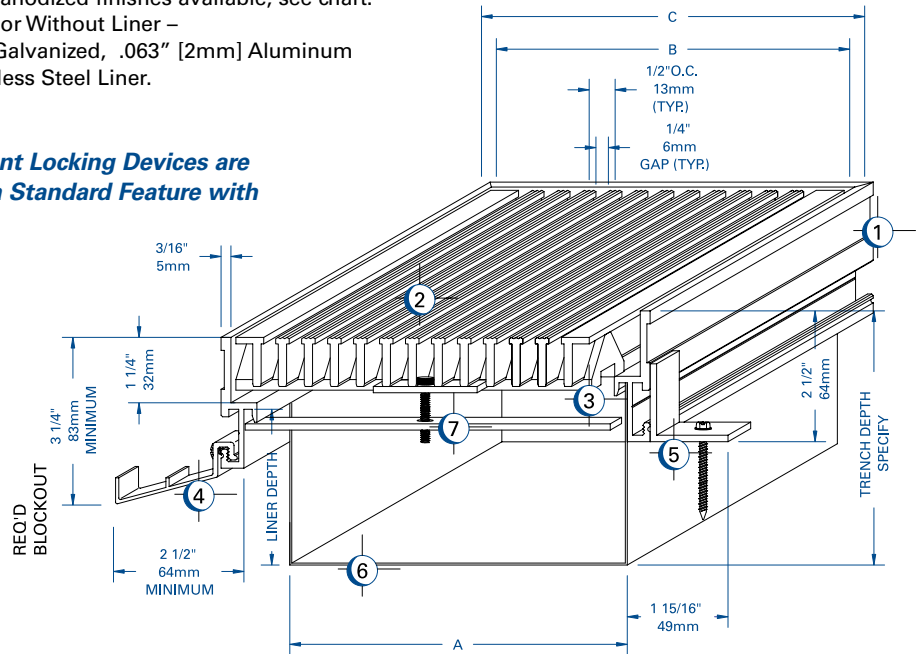
Balco's Popular, Versatile Aluminum Grating is Perfect for Areas Where a Circular or Elliptical Shape is Required. Aluminum is Standard Mill Finish.

Cast-In Anchors are Standard; Block-Out Anchors Optional. Optional color anodized finishes available, see chart.

Available With or Without Liner –

Specify 20ga. Galvanized, .063" [2mm] Aluminum or 22 ga. Stainless Steel Liner.

Theft-Resistant Locking Devices are Provided as a Standard Feature with this Grating.



Color Selector For Anodized Finishes



- ① Extruded Aluminum Frame (6063-T5)
- ② Extruded Aluminum Tread (6063-T5); Serrated is Shown – Smooth and Abrasive Tread Textures also Available.
- ③ Extruded Aluminum Support Bar @ 10" (254mm) O.C.
- ④ Cast-In Anchor @ 20" (508mm) O.C. – Standard
- ⑤ Block-Out Anchor @ 20" (508mm) O.C. – Optional
- ⑥ Liner (Specify Material) – Optional
- ⑦ Theft-Resistant Locking Device (Loc-Down) – Standard

MLG Series

TYPE	Dimensions		
	A	B	C
MLG-4-(S, P or A)	4" (102mm)	4 5/16" (110mm)	4 7/8" (124mm)
MLG-6-(S, P or A)	6" (152mm)	6 5/16" (160mm)	6 7/8" (175mm)
MLG-8-(S, P or A)	8" (203mm)	8 5/16" (211mm)	8 7/8" (225mm)
MLG-10-(S, P or A)	10" (254mm)	10 5/16" (262mm)	10 7/8" (276mm)
MLG-12-(S, P or A)	12" (305mm)	12 5/16" (313mm)	12 7/8" (327mm)

For Wider Applications Contact Factory

Specify S for Serrated Tread Texture
Specify P for Plain (Smooth) Tread Texture
Specify A for Abrasive Tread Texture

{DOWNLOAD CADs and pdfs}

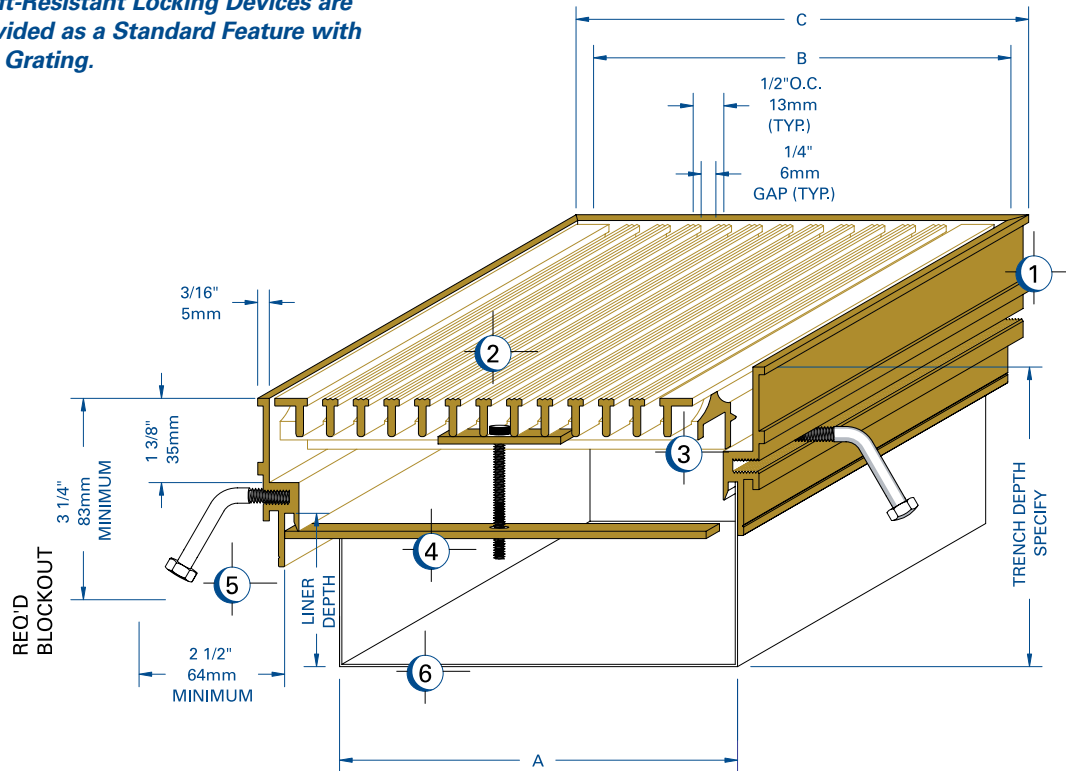
www.balcousa.com

BMLG

This Solid Architectural Bronze Grating is Ideal for Applications Where Aesthetics are Paramount. Bronze is Satin Finish. Cast-In Anchors are Standard; Block-Out Anchors Optional. Available With or Without 22ga. Stainless Steel Liner.



Theft-Resistant Locking Devices are Provided as a Standard Feature with this Grating.



- ① Bronze Extruded Frame (385)
- ② Extruded Bronze Tread (385); Serrated Tread Texture Only Available.
- ③ Extruded Bronze Support Bar @ 10"(254mm) O.C.
- ④ Theft-Resistant Locking Device (Loc-Down) – Standard
- ⑤ Cast-In Anchor @ 20"(508mm) O.C. – Standard
- ⑥ Stainless Steel Liner – Optional

BMLG Series

TYPE	Dimensions		
	A	B	C
BMLG-4-S	4" (102mm)	4 5/16" (110mm)	4 7/8" (124mm)
BMLG-6-S	6" (152mm)	6 5/16" (160mm)	6 7/8" (175mm)
BMLG-8-S	8" (203mm)	8 5/16" (211mm)	8 7/8" (225mm)
BMLG-10-S	10" (254mm)	10 5/16" (262mm)	10 7/8" (276mm)
BMLG-12-S	12" (305mm)	12 5/16" (313mm)	12 7/8" (327mm)

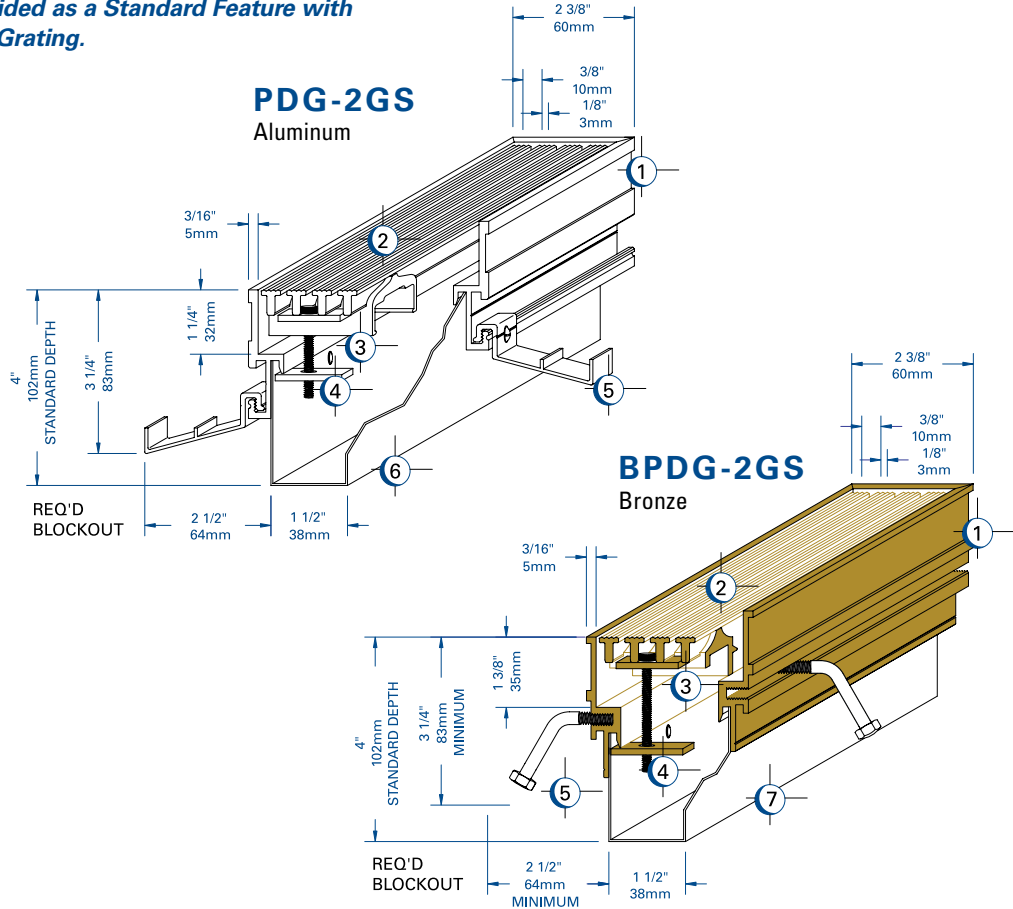
For Wider Applications Contact Factory

{DOWNLOAD CADs and pdfs}
www.balcousa.com

POOL DRAIN

Balco's Low-Profile Swimming Pool Drain Enhances Any Project Where Water Drainage is Required. Available in Aluminum and Bronze (in the Widths Shown); Bronze is Satin Finish, Standard Clear Anodized for Aluminum; Mill Finish, Optional color anodized finishes available, see chart. Cast-In Anchors are Standard; Block-Out Anchors Optional. 20ga Galvanized Liner is Standard for Aluminum. 22ga Stainless Steel Liner is Standard for Bronze. Optional Liner for Aluminum Grating - .063 Aluminum or 22ga Stainless Steel.

Theft-Resistant Locking Devices are Provided as a Standard Feature with this Grating.



- | | |
|---|--|
| ① Frame - Extruded Aluminum (6063-T5) or Bronze (385) | ④ Theft-Resistant Locking Device (Loc-Down) - Standard |
| ② Tread - Extruded Aluminum (6063-T5); or Extruded Bronze (385) - Serrated Only Available | ⑤ Cast-In Anchor @ 20" (508mm) O.C. - Standard |
| ③ Extruded Aluminum or Extruded Bronze Support Bar @ 10"(254mm) O.C. | ⑥ Galvanized Liner Standard, Optional Aluminum or Stainless Steel. |
| | ⑦ Stainless Steel Liner - Standard |

{DOWNLOAD CADs and pdfs}
www.balcousa.com

CUSTOM DESIGNS

Balco's Trench Grating is the Ideal Solution for Fountains, Plazas, Swimming Pools, Aquariums and Anywhere That Water Drainage is Required.

Our Grating has Been Utilized as a Design Element in Many Non-Traditional Applications. Visualize Balco Grating in Your Next Project and Our Design Team Will Assist You in Bringing Your Ideas to Life.

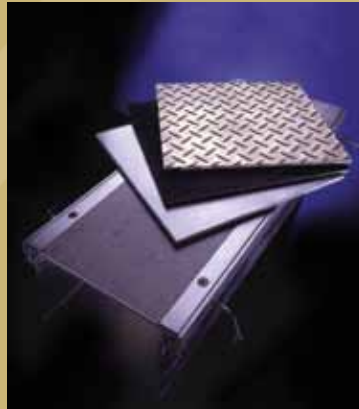


{DOWNLOAD CADs and pdfs}

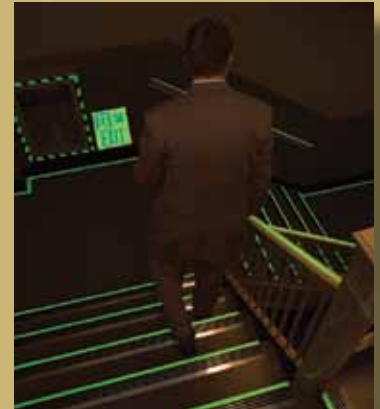
www.balcousa.com



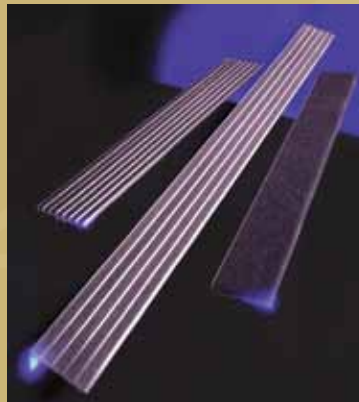
Quality products engineered and crafted to meet tomorrow's needs today... Over 50 years in the business is proof that we stand behind those words. Balco has set an industry benchmark with our combination of highly skilled engineers, manufacturing processes, and drafting designs. We customize our products to fit your projects' needs. At Balco, we're dedicated to bringing you the highest quality products at competitive prices. Let us be an integral part of your next project.



TRENCH & ACCESS COVERS



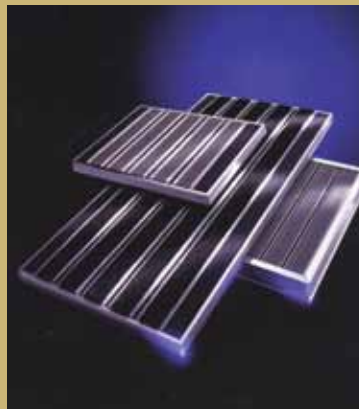
EGRESS



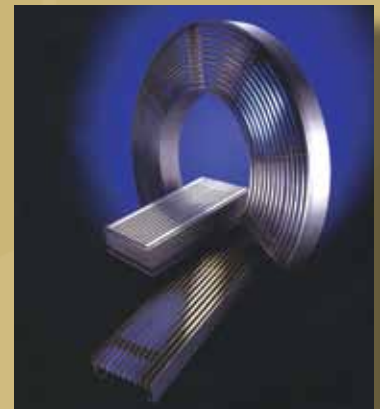
STAIR NOSINGS



EXPANSION JOINT COVERS



ENTRANCE MATTING SYSTEMS



GRATES & FRAMES

ISO 9001 CERTIFIED



BALCO INC

1.800.767.0082 www.balcousa.com



EXTERIOR EXPANSION JOINT SEALS

BAL-EJC / 0609 ©