

IllumiTread™

BALCO'S Photoluminescent Stair Nosing

BALCO, known for economical and easy to install stair nosings, is now offering IllumiTread™ Stair Nosings.

BALCO's stair nosings are ideal for any application where stair tread protection is a concern. Now Balco is pleased to offer our IllumiTread™ product line that merges Balco's quality stair nosings with Photoluminescent guidance strips.

IllumiTread™, For Safety's Sake

Electrical emergency lighting and signage are subject to failure, leaving egress routes in the dark. IllumiTread™ is failsafe, providing a non-electric, highly visible routing system that makes egress faster and safer for many hours after power loss.

Product highlights of IllumiTread™

- Non-toxic
- Non-electric
- Non-radioactive
- Environmentally friendly
- Durable
- Fire-resistant
- UV-stable
- Weather-resistant for outdoor applications
- Easily installed and maintained

What sets IllumiTread™ apart?

Balco's IllumiTread™ delivers the highest luminescence levels available, but requires significantly less ambient light to recharge.

IllumiTread™ uses only the highest grade Strontium Aluminate pigments, not Zinc Sulfide. This means brighter glow, upward of 30 times brighter than standard photoluminescence materials. This provides a rating that exceeds the New York City Building Code Reference Standards RS 6-1 and RS 6-1A.

Contact Us

For more information on how you can purchase Balco's IllumiTread™ Stair Nosings, contact Balco at:

1-800-767-0082

www.balcousa.com

Email: info@balcousa.com

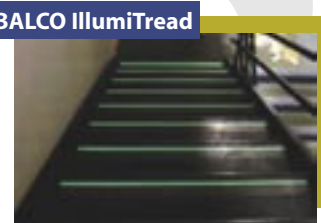
BALCO Inc.
2626 S. Sheridan • P.O. Box 17249
Wichita, KS 67217-0249
BAL-ILL/020/1105©



BALCO IllumiTread
Stairs in daylight



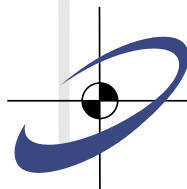
BALCO IllumiTread



BALCO IllumiTread
Stairs in daylight

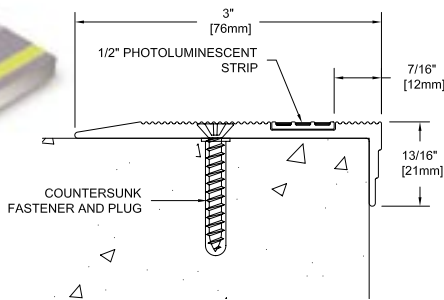


BALCO IllumiTread

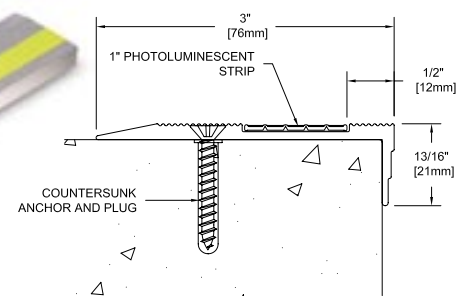


BALCO INC

2140
 ILLUMITREAD™ STAIR NOSING
 MILL FINISH ALUMINUM EXTRUSION
 w/PHOTOLUMINESCENT INSERT
 MEA-234-05-M VOL. II
 BR: 106-29-20

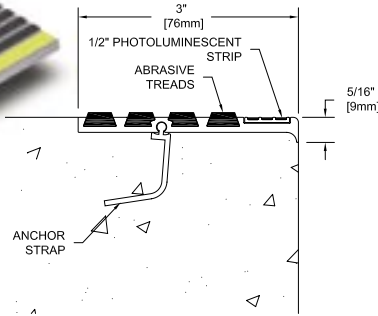


4140 & 4199
 ILLUMITREAD™ STAIR NOSING
 MILL FINISH ALUMINUM EXTRUSION
 w/PHOTOLUMINESCENT INSERT
 MEA-243-05-M VOL. II
 BR: 41-10-7



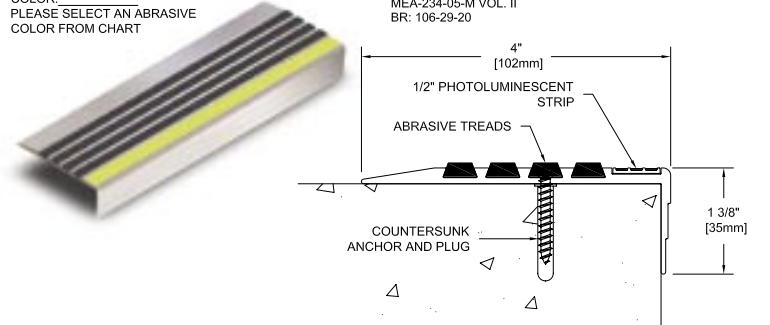
R-315P-PL
 ILLUMITREAD™ STAIR NOSING
 MILL FINISH ALUMINUM EXTRUSION
 MAXIMUM LENGTH 10'-0" (3048mm)
 COLOR: _____
 PLEASE SELECT AN ABRASIVE
 COLOR FROM CHART

NOTE: FINISHED NOSINGS HAVE
 SLIGHTLY ROUNDED ENDS. OPTIONAL
 SQUARE ENDS AVAILABLE.
 MEA-234-05-M VOL. II
 BR: 106-29-20



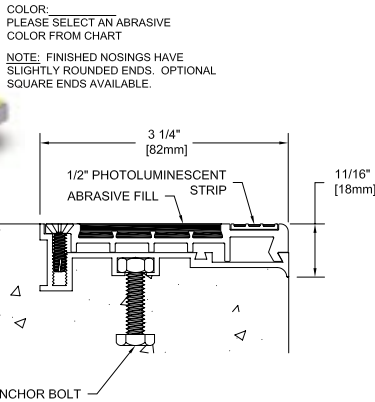
RS-405L-PL
 ILLUMITREAD™ RETROFIT STAIR NOSING
 MILL FINISH ALUMINUM EXTRUSION
 MAXIMUM LENGTH 10'-0" (3048mm)
 COLOR: _____
 PLEASE SELECT AN ABRASIVE
 COLOR FROM CHART

NOTE: FINISHED NOSINGS HAVE
 SLIGHTLY ROUNDED ENDS. OPTIONAL
 SQUARE ENDS AVAILABLE.
 MEA-234-05-M VOL. II
 BR: 106-29-20



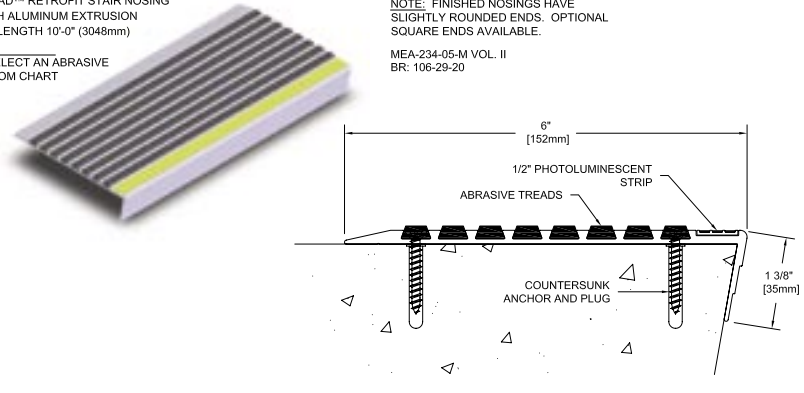
XH-330-PL
 ILLUMITREAD™ STAIR NOSING
 TWO COMPONENT STAIR NOSING
 MILL FINISH ALUMINUM
 MAXIMUM LENGTH 10'-0" (3048mm)

MEA-234-05-M VOL. II
 BR: 106-29-20



RS-607L-PL
 ILLUMITREAD™ RETROFIT STAIR NOSING
 MILL FINISH ALUMINUM EXTRUSION
 MAXIMUM LENGTH 10'-0" (3048mm)
 COLOR: _____
 PLEASE SELECT AN ABRASIVE
 COLOR FROM CHART

NOTE: FINISHED NOSINGS HAVE
 SLIGHTLY ROUNDED ENDS. OPTIONAL
 SQUARE ENDS AVAILABLE.
 MEA-234-05-M VOL. II
 BR: 106-29-20



| BENEFITS | TECHNICAL |
|---|---|
| Exceeds New York City RS 6-1 and RS 6-1A Brightness Rating Requirements Model 4140 – 1" – BR: 41-10-7 All other models – 1/2" – BR: 106-29-20 | Passes RS 6-1 Illuminance Test ISO 17398 (NYC minimum BR: 30-8-5) Passes ASTM E2072-00 Meets ICC-ES AC169 |
| Highly durable and built for permanent installation inside or outside. UV stable | Passed Weatherometer (2000 hour ASTM G155) and Salt Spray (ASTM B117) tests |
| Easy, permanent installation | Screws and Anchors supplied |
| Easy clean – no other maintenance required | Passes RS 6-1 cleaning test – ASTM D 4828 – RESULT 10 (no residual soiling or staining – highest possible score, minimum required, requirement – 5) |
| Non-flammable (fire resistant) | Passes RS 6-1 flame spread test – ASTM D 635 |
| Non-toxic | Passes RS 6-1 toxicity test – Bombardier SMP800-C |
| Not radioactive | Passes RS 6-1 radioactivity tests ASTM D3648 |

Other Photoluminescent Products

Model 4010c – 1" Handrail Strip –
 BR: 41-10-7

Standard length 10' with formed radius
 to suit handrails with diameter between
 1 1/2" and 2"