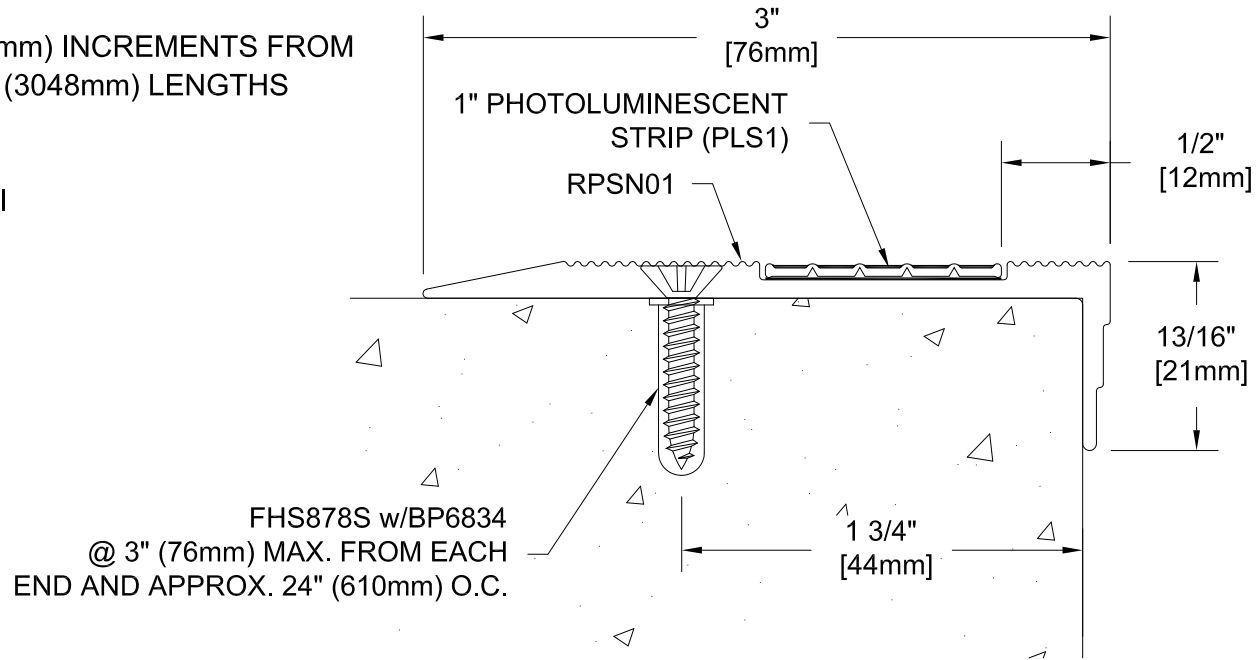


4199

ILLUMITREAD™ STAIR NOSING
MILL FINISH ALUMINUM EXTRUSION
w/PHOTOLUMINESCENT INSERT

AVAILABLE IN 2" (52mm) INCREMENTS FROM
36" (914mm) TO 120" (3048mm) LENGTHS

TESTED TO UL 1994
MEA-243-05-M VOL. II
BR: 41-10-7



**NOTE: CONSTRUCTION ADHESIVE
(BY OTHERS) REQUIRED FOR INSTALLATION**

Project

Customer

SO#

Date

Length	Qty.	Color

Page of

Scale: NTS

The information contained herein is the proprietary property of **BALCO, INC.** No portion of it may be reproduced by any means or used in any form except for the purpose for which it was furnished. All rights of design and invention are hereby reserved.



2626 S. Sheridan PO Box 17249
Wichita, Kansas 67217-0249 USA
P: +1-316-945-9328 F: +1-316-945-0789